



SHENZHEN HENGZHIYUAN ELECTRIC APPLIANCE CO., LTD.

[www.hzy2000.com](http://www.hzy2000.com)

## LED Lighting Systems for Rail Vehicles





## Company Introduction

Shenzhen HengZhiYuan Electric Appliance Co., Ltd. (short: *HZY*) was established in April 2000. The company is located in Shenzhen, which borders on Hong Kong.

*HZY* is one of the foremost enterprises in the area of internal and external LED lighting and indicating lamps for railway vehicles. *HZY* first introduced the idea of LED light sources in the fields of lighting fixtures on railway vehicles. The company also provides other electronic equipment products.

A staff of 36 engineers and a rich instrumentation of the R&D departments (i.e. Structure Design, Optical Design, Industrial Design and Electrical Design) lay the foundations for series products as well as customer-specific products. The product design comprises the outer shape and the internal structure of the lighting fixtures, including the installation of LEDs respectively HIDs (high-intensity discharge lamps for headlights). In our products, we use high quality Xenon lamps from Hella and LEDs mainly from CREE. *HZY* also provides complete assembly groups, such as a vehicle head with integrated lighting. In this area *HZY* cooperates with the German company IFS Design.

In the field of serial lamps, lanterns with LED light, *HZY* has obtained 2 design patents and 30 utility model patents. There are 8 series of light products in our company with more than 650 different kinds of lights which are used on railway passenger trains and metro trains. These are: LED reading light series, LED spotlight (downlight) series, LED floorlight (glimmer light) series, LED signal lamp series, Panel LED lamp series (LED plane lights), information display series (LED indicators), intelligent control product series, and power supply series.

Because of our innovative approach, advanced technique and our specialised new products, *HZY* can determine the requirements of the client in the short term and conform to the client's needs. Key customers are Bombardier Transportation Canada INC., Bombardier Sifang Power (QingDao), Transportation Ltd. (BT JV), CSR SiFang Locomotive Rolling Stock Co., Ltd., CNR Changchun Railway Vehicles Co., Ltd., CNR TangShan Railway Vehicle Co., Ltd., CSR NanJing PuZhen Rolling Stock Works, and Changchun Bombardier Railway Vehicle Co., Ltd. (BT JV for metro car).

In 2003 and again in 2008, *HZY* was certified according to ISO 9001:2000. The company has also gained "IRIS", "CCC" and "CRCC" certifications. *HZY* strictly meets the request of the ISO 9001:2008 system key element, i.e. passing quality courses smoothly through yearly surveillance verifications and continued improvement.



# Business Scope

## Analysis and Calculation

- Thermal calculation
- Power consumption calculation
- Illumination intensity calculation
- LCC
- RAMS
- LEDs layout

## Design Proposal

- Light fixture arrangement
- power supplier arrangement
- LEDs arrangement
- Technology communication
- Final technical proposal

## Project design

- Concept design review
- Preliminary design review
- Final design review
- Output drawings:

Schematic Diagram  
3D drawing  
2D drawing  
BOM  
Tooling equipment

## Prototype test

- Type and route test plan
- Performance test
- Environment test
- Mechanical test
- Electrical test
- Noise test
- FST test (fire, smoke, toxic)
- EMC test

## Manufacturing

- Production plan
- Material purchasing
- Production training
- PCB module assembly
- Power supply assembly
- Light fixture assembly
- Burning and performance test
- Packaging

## After-sale service

- Debugging in Vehicle factory
- Warranty maintenance
- Technical support
- Long term supply of spare parts



# Company Achievements

- 2002 LED reading lights & LED floor lights are firstly introduced into China railway trains.
- 2003 LED floor lights, downlights and reading lights are designed for partial interior lighting in railway trains.
- 2004 LED lights got approval by MOR (Ministry Of Railways) as standard lights in trains.
- 2005 LED spot lights are used widely in Q-Tibet railway trains.
- 2006 LED spot lights are used in 200km/h EMU project.
- 2007 Shenzhen Metro Line 1 for CSR Zhuzhou Electric Locomotive Co., Ltd.
  - Sri Lanka trains project for CSR SiFang Locomotive Rolling Stock Co., Ltd.
  - Iran trains project for Changchun Locomotive Rolling Stock Co., Ltd.
  - LED lighting system applied in Q-Tibet business trains project.
  - LED lighting system applied in Shenyang Metro project for CNR Changchun Railway Vehicles Co., Ltd.
  - LED lighting system applied in Shanghai Metro Line 7 and Line 9 for Changchun Bombardier Railway Vehicle Co., Ltd.
  - LED lighting system applied in 200km/h project of CRH2 for CRS SiFang Locomotive Rolling Stock Co., Ltd.
- 2008 LED lighting system applied in Shenzhen Metro Line 2 project for CNR Changchun Railway Vehicles Co., Ltd.
  - LED lighting system applied in Shenzhen Metro Line 3 project for CNR Changchun Railway Vehicles Co., Ltd.
  - LED lighting system applied in 200km/h sleeping car project for Bombardier SiFang Power (Qingdao) Transportaion Ltd.
- 2009 LED lighting system applied in Iran 50 bi-level passenger trains for CNR Changchun Railway Vehicles Co., Ltd.
  - LED lighting system applied in Shanghai Metro Line 6 and Line 8 for CNR Changchun Railway Vehicles Co., Ltd.
  - CRH3 high-speed railway interior lighting system technology reform project for the CNR Tangshan railway vehicle company.
  - LED lighting system applied in 300km/h second stage project for CSR Sifang Locomotive Rolling Stock Co.,Ltd.
  - LED lighting system applied in Bombay metro for CSR Nanjing Puzhen Rolling Stock Co., Ltd.
  - LED lighting system applied in CRH380 High Speed Train for Bombardier SiFang Power (Qingdao) Transportaion Ltd.
  - LED lighting system applied in Shenzhen Metro Line 5 project for CSR Zhuzhou Railway Transportation Rolling Stock Co., Ltd.
- 2010 LED lighting system applied in SuZhou Metro line 1 lighting system project for CSR Nanjing Puzhen Rolling Stock Co., Ltd.
  - Singapore Metro Lighting project for Bombardier Changchun Power Transportation company.
  - LED lighting system applied in Chongqing Metro Line 6 Lighting project for Bombardier Changchun Power Transportation company.
  - HongKong Metro lighting system project for CNR Changchun railway vehicle company.
  - LED lighting system applied in Iran 64 cars project for CNR Changchun railway vehicle company.
  - Medium-low speed maglev train main lighting system project for CNR Tangshan railway vehicle company.
- 2011 CRH6 lighting system project for CSR.
  - APM 300 interior lighting for Bombardier Transportation System.
  - LED panel lights applied in Guangzhou Metro line 5.
  - LED panel lights and signal lights applied in Beijing Line 6.
  - Ningbo Metro interior lighting system for CSR Zhuzhou Railway Transportation Rolling Stock Co., Ltd.
  - LED lighting system applied in 25T passenger train for CSR SiFang Locomotive Rolling Stock Co., Ltd.
- 2012 LED lighting system applied in Chongqing Line 3 for Changchun Bombardier Railway Vehicle Co., Ltd.
  - Jeddha Airport APM300 interior lighting system project for Bombardier Transportation System.
  - LED lighting system applied in Beijing Line 14 for Changchun Bombardier Railway Vehicle Co., Ltd.
  - LED lighting system applied in international train transportation for CSR SiFang Locomotive Rolling Stock Co., Ltd.
  - LED lighting system applied in Suzou metro line 2 for CSR Nanjing Puzhen Rolling Stock Co., Ltd
  - LED Lighting system applied in BART project for Bombardier Transportation Canada Inc.



## Cooperation Partners

- Shenzhen Institute of Advanced Technology of Chinese Academy of Science as a partner for developing LED lighting and control technology for transit transportation
  - Shenzhen Graduate Institute of Tsinghua University
  - Shenzhen Polytechnic for technical cooperation of intelligent control
- 

## Contact:

**Shenzhen HengZhiYuan Electric Appliance Co., Ltd.**  
No.C Building GuanLong First Industrial Park, XiLi Town, NanShan District  
ShenZhen 518055  
PR China

Wendy Zhao  
Sales manager  
Tel.: +86 755 26518030  
Email: zhaoyongxiu@hzy2000.com

## German Representation:

### **hzy King Light**

Dipl.-Ing. Bernd Ackermann  
Schaufflerpfad 7  
13503 Berlin  
Tel.: +49 176 49559849  
Email: bernd.ackermann@arcor.de



## Data Sheets

### 1. LED Reading Lights

	Page
Bedside Reading Light	8, 9
Cab Reading Light	10, 11
Driver Seat Reading Light	12, 13
Driver Station Reading Light	14, 15, 16, 17
Reading Light Venezuela	18, 19
Luggage Rack Reading Light	20, 21, 22, 23, 27
Reading Light Type IV, IX	24, 25
Seat Car Reading Light	26

### 2. LED Spot Lights

High Power LED Spotlight	29 - 47, 49, 50
Cab Spotlight	48
Dining Car Spotlight	51
Large Downlight	52

### 3. LED Glimmer Lights

Chassis Sleep Light	54
Foot Light	55
Pedal Light	56
Sleep Light	57
Step Light	58
Luggage Rack Decorative Light	59
Decorative Light	60 - 64
Shop No./Ground Light	65

### 4. LED Signal Lights

	Page
Side Lights	67
Door Indicator	68
Outside Running Light	69
Train Tail Light	70
Head Light	71
Tail Signal Light	72, 73, 74
Side Light Chongqing	75
Side Light Iran	76
Running Light	77, 78
Cell Door Light	79, 80
Outside Running Light	81, 82

### 5. LED Panel Lights

LED Flat Dome Light	84, 86 - 92
LED Light Type III	85
LED Combination Type III	93
Panel Light	94
LED Combination Dengpan Type	95

### 6. LED Information Displays

Toilet Display	97, 98
----------------	--------

### 7. Intelligent Controls

Package Controller	100, 101
Electric Light Switch	102
SOS Switch	103
Door Controller	104, 105
Sofa Control Panel	106
Micro Switch	107, 108, 112
Photo-Electric Switch	109, 110, 111
Package	113



## 1. LED Reading Lights



Bedside Reading Light

床头阅读灯



产品编号 Product No.	型号 Type	颜色 Color	额定功率 Rating power	输入电压 Input voltage	色温 Color temperature	环境温度 ambient temperature	重量 weight	防护等级 protection grade
C01020400017	XKTD08	灰色/白色	≤4W	DC48V/DC110V	4500~5000K	-25℃~40℃	222.4g	IP30

外形尺寸

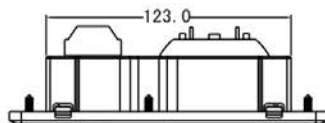
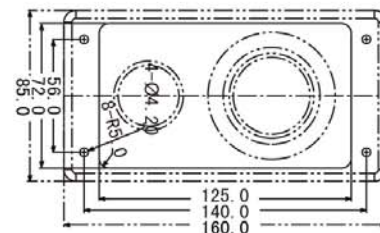
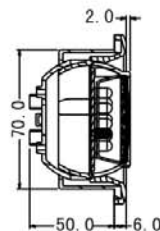
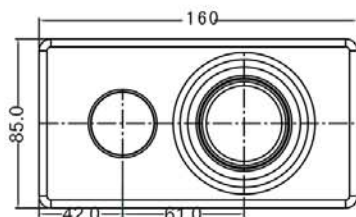
开孔尺寸

材质说明

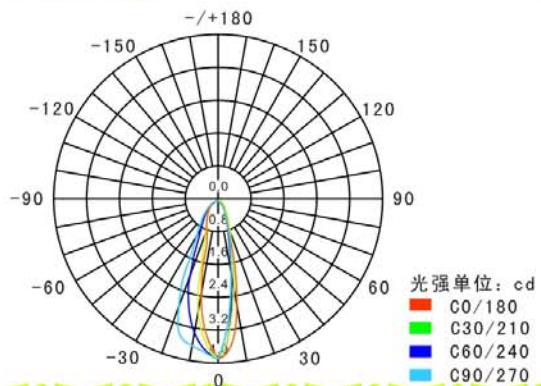
- 1、灯体采用阻燃塑胶ABS,
- 2、透镜采用阻燃PC塑料.
- 接线端子: 236-410.

Materials:

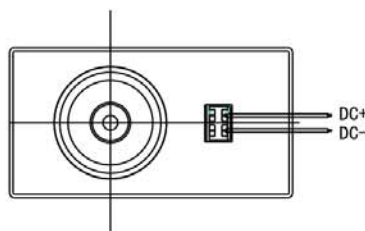
- 1.ABS plastic LED light body.
- 2.Non-flammable PC plastic lens.
- Terminal:WAGO 236-410.



配光曲线



接线图



产品应用



# Bedside Reading Light

## 床头阅读灯



### 材质说明

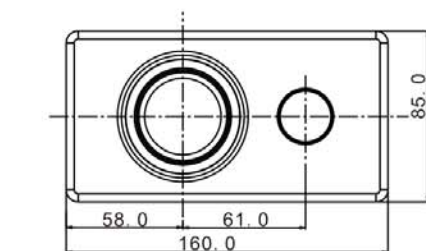
- 1、灯体采用阻燃塑胶ABS,
- 2、透镜采用阻燃PC塑料.
- 接线端子: 262-202.

### Materials:

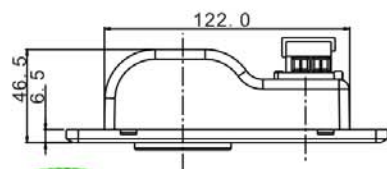
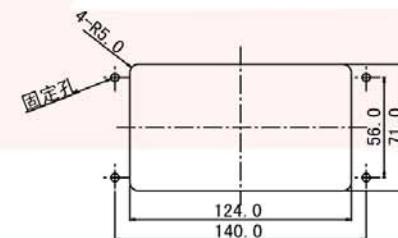
- 1. ABS plastic LED light body.
- 2. Non-flammable PC plastic lens.
- Terminal: WAGO 262-202.

产品编号 Product No.	型号 Type	颜色 Color	额定功率 Rating power	输入电压 Input voltage	色温 Color temperature	环境温度 ambient temperature	重量 weight	防护等级 protection grade
C01990900001	LED-ZT	灰色/白色	≤4W	DC24V/DC48V /DC110V/DC220V	4500K-5000K	-10℃~65℃	200g	IP30

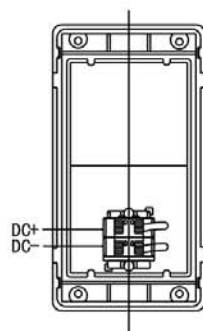
外形尺寸



开孔尺寸



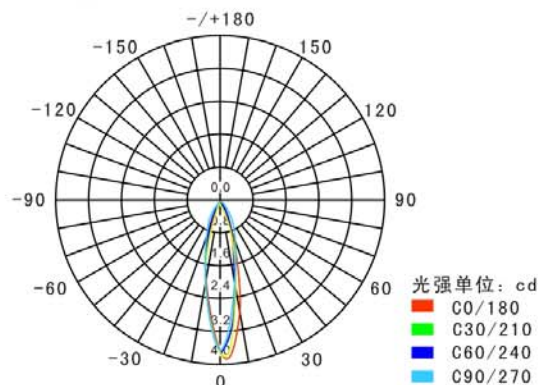
接线图



产品应用



配光曲线



<http://www.hzy2000.com>

1

TEL:+86-0755-26018102



Cab Reading Light

司机室阅读灯



产品编号 Product No.	型号 Type	颜色 Color	额定功率 Rating power	输入电压 Input voltage	色温 Color temperature	环境温度 ambient temperature	重量 weight	防护等级 protection grade
C01050200002	SHD05-12	灰色	≤4W	DC24V/DC110V	3200K-3500K	-25℃~40℃	180g	Ip56

外形尺寸

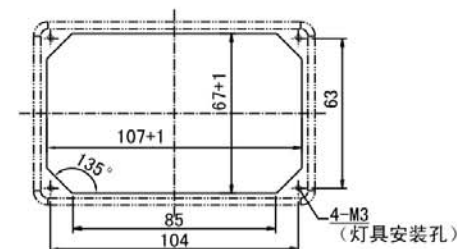
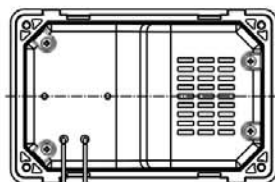
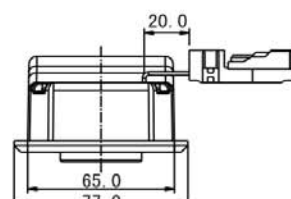
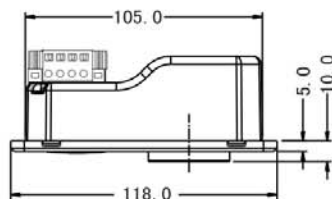
开孔尺寸

材质说明

- 1、灯体采用阻燃塑胶ABS,
- 2、透镜采用阻燃PC塑料.
- 接线端子: 262-202.

Materials:

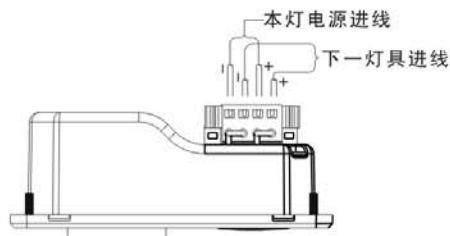
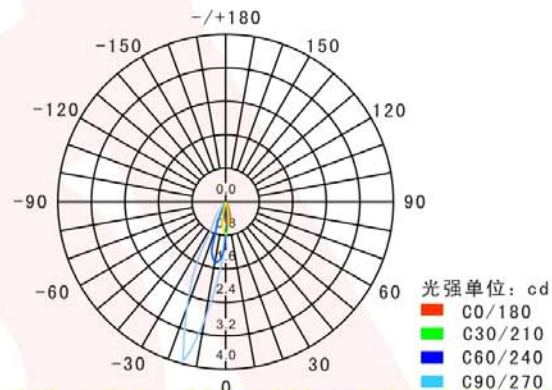
- 1. ABS plastic LED light body.
- 2. Non-flammable PC plastic lens.
- Terminal: WAGO 262-202.



接线图

产品应用

配光曲线



# Cab Reading Light Type I

## 司机室阅读灯 I 型



产品编号 Product No.	型号 Type	颜色 Color	额定功率 Rating power	输入电压 Input voltage	色温 Color temperature	环境温度 ambient temperature	重量 weight	防护等级 protection grade
C01050400008	SHYD11-02	灰色	≤3W	DC110V	3200K-3500K	-20℃~70℃	168.1g	IP30

外形尺寸

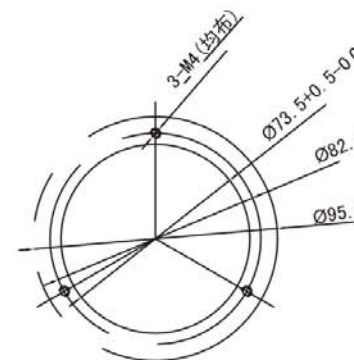
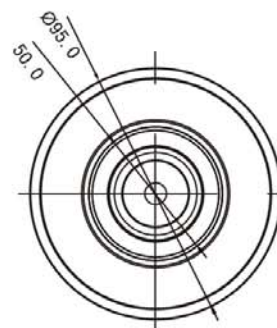
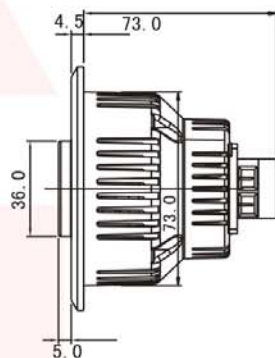
开孔尺寸

### 材质说明

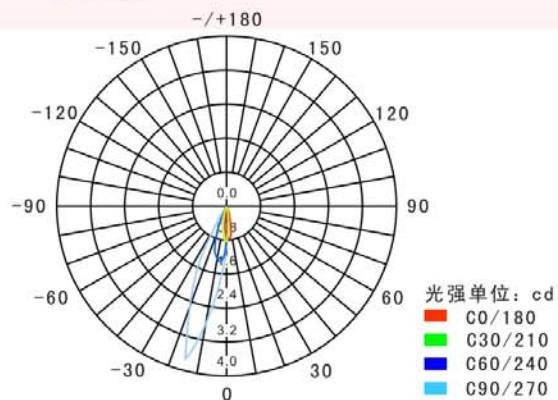
- 1、灯体采用阻燃塑胶ABS,
- 2、透镜采用阻燃PC塑料.
- 接线端子: 262-202.

### Materials:

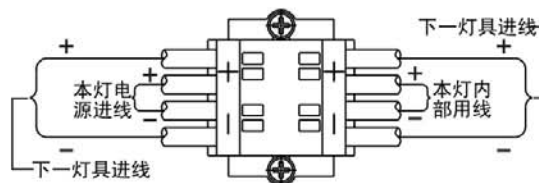
- 1. ABS plastic LED light body.
- 2. Non-flammable PC plastic lens.
- Terminal: WAGO 262-202.



配光曲线



接线图



产品应用

E-mail: [hzy.ltd@hzy2000.com](mailto:hzy.ltd@hzy2000.com)

2

<http://www.hzy2000.com>



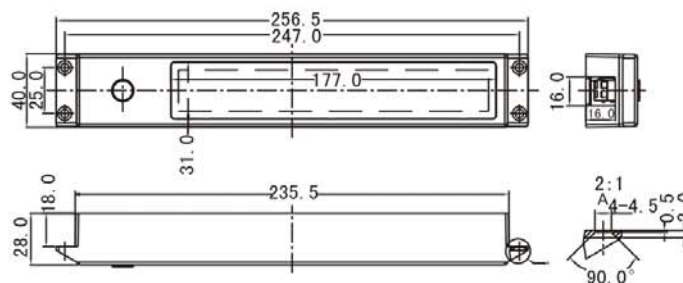
司机台阅读灯



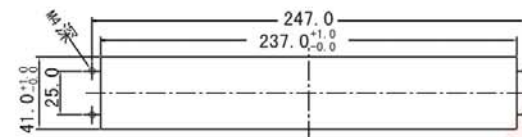
Driver Seat Reading Light

产品编号 Product No.	型号 Type	颜色 Color	额定功率 Rating power	输入电压 Input voltage	色温 Color temperature	环境温度 ambient temperature	重量 weight	防护等级 protection grade
C01040700013	SHYD05-08	蓝灰色	≤3W	DC110V	4500-5000K	-25℃~40℃	127.4g	IP30

外形尺寸



开孔尺寸



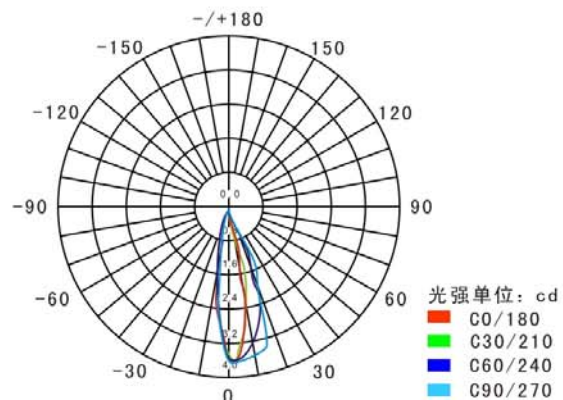
材质说明

- 1、灯体采用阻燃塑胶ABS,
- 2、灯罩采用阻燃PC塑料.
- 接线端子: 236-402.

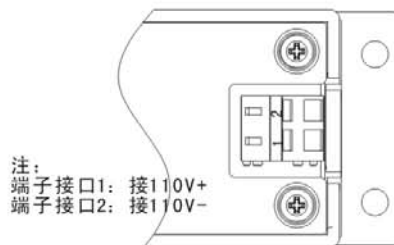
Materials:

- 1.Non-flammable ABS plastic LED light body.
- 2.Non-flammable PC plastic lampshade.
- Terminal:WAGO 236-402.

配光曲线



接线图

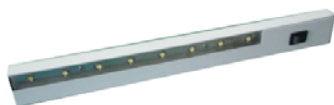


注:  
端子接口1: 接110V+  
端子接口2: 接110V-

产品应用



## 司机台阅读灯III型



## Driver Seat Reading Light Type III

### 材质说明

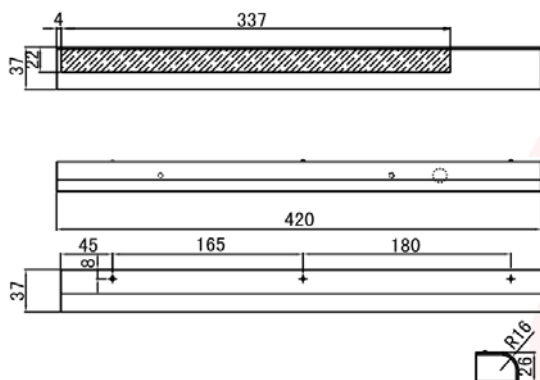
- 1、灯体采用阻燃塑胶ABS,
- 2、灯罩采用阻燃PC塑料.
- 接线端子: 260-102.

### Materials:

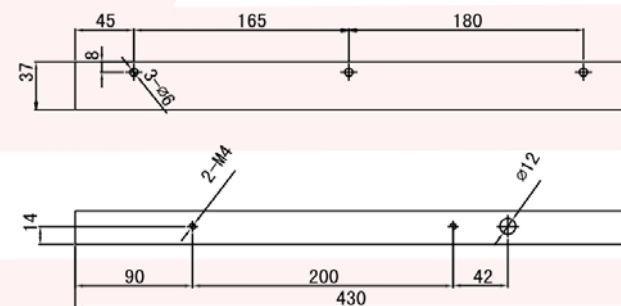
- 1.Non-flammableABS plastic LED light body.
- 2.Non-flammable PC plastic lampshade.
- Terminal:WAGO 260-102.

产品编号 Product No.	型号 Type	颜色 Color	额定功率 Rating power	输入电压 Input voltage	色温 Color temperature	环境温度 ambient temperature	重量 weight	防护等级 protection grade
C01040200002	SHYD10-03	灰色	≤5W	DC24V	3000K-3500K	-20℃~70℃	207.2g	IP30

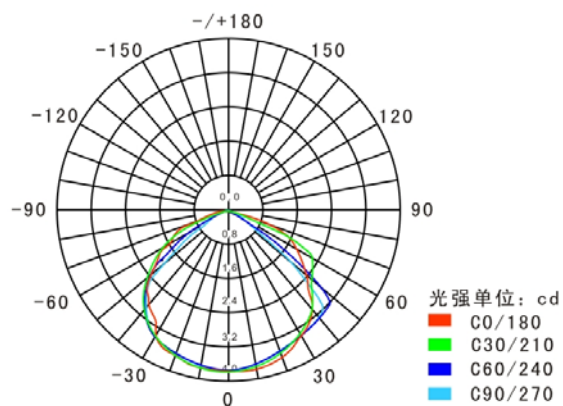
外形尺寸



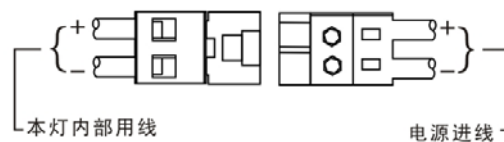
开孔尺寸



配光曲线



接线图



产品应用

<http://www.hzy2000.com>

1

TEL:+86-0755-26018102



### 司机台阅读灯IV型

Driver Station  
Reading  
Light Type IV



产品编号 Product No.	型号 Type	颜色 Color	额定功率 Rating power	输入电压 Input voltage	色温 Color temperature	环境温度 ambient temperature	重量 weight	防护等级 protection grade
C01040200001	SHYD10-04	黑色	≤5W	DC24V/DC110V	3200~3500K	-20℃~70℃	363.6g	Ip30

外形尺寸

开孔尺寸

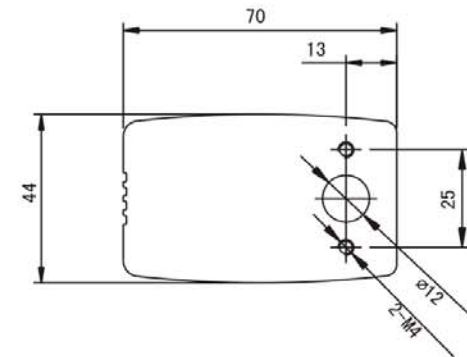
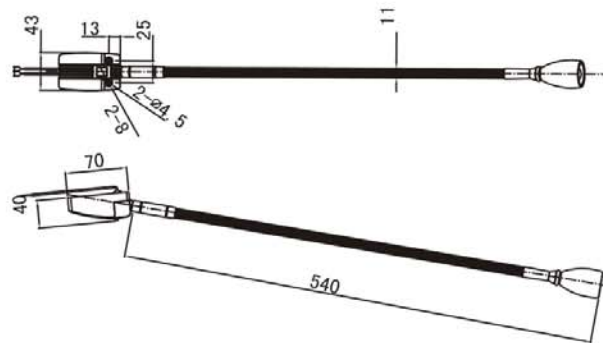
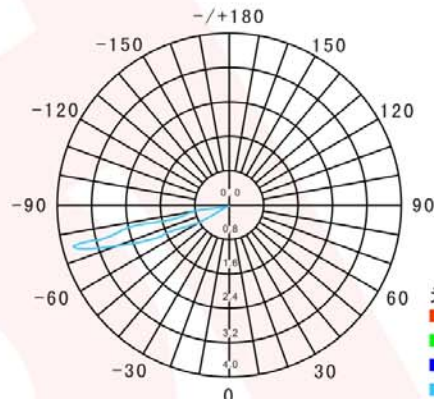
#### 材质说明

- 1、灯体采用铝合金材质。
- 2、表面处理黑色烤漆。
- 3、透镜采用阻燃PC塑料。
- 接线端子: 261-202.

#### Materials:

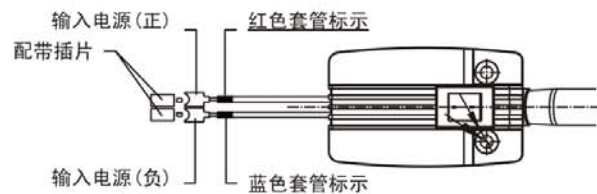
- 1. Alloy aluminum LED light body.
- 2. Black coating finish.
- 3. Non-flammable PC plastic lens.
- Terminal: WAGO 261-202.

配光曲线



接线图

产品应用



# Driver Station Reading Light Type VI

## 司机台阅读灯VI型



产品编号 Product No.	型号 Type	颜色 Color	额定功率 Rating power	输入电压 Input voltage	色温 Color temperature	环境温度 ambient temperature	重量 weight	防护等级 protection grade
C01040700014	SHYD210-06	银灰色	≤4W	DC24V	5600K-6300K	-25℃-45℃	77.4g	Ip54

外形尺寸

开孔尺寸

### 材质说明

- 1、灯体采用铝合金材质,
  - 2、表面处理银灰色烤漆,
  - 3、灯罩采用阻燃PC塑料.
- 接线端子: 721-102/037-000,  
721-602/019-000.

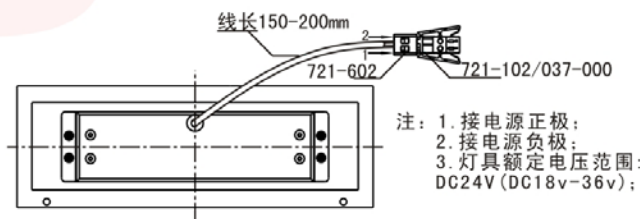
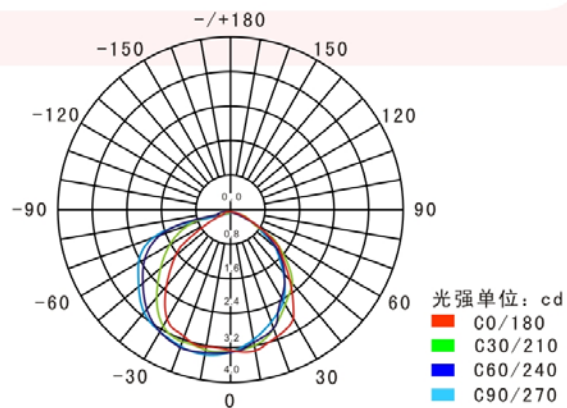
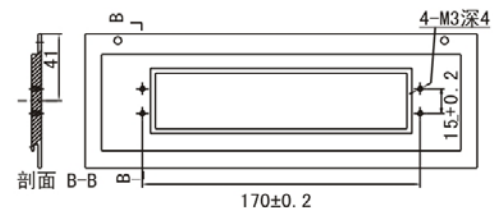
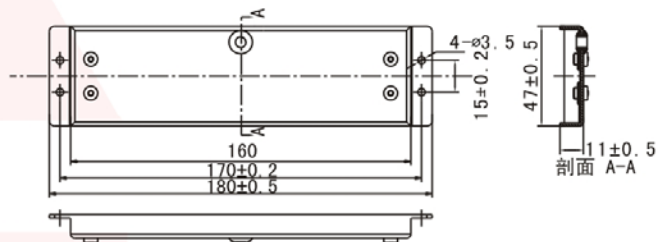
### Materials:

- 1. Alloy aluminum LED light body.
  - 2. Silver coating finish.
  - 3. Non-flammable PC plastic lampshade.
- Terminal: WAGO 721-102/037-000, 721-602/019-000.

配光曲线

接线图

产品应用



E-mail: hzy.ltd@hzy2000.com

2

http://www.hzy2000.com



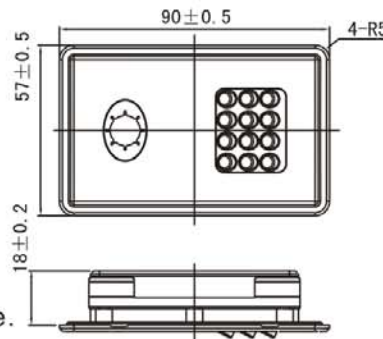
司机台阅读灯VII型

Driver Station  
Reading Light  
Type VII

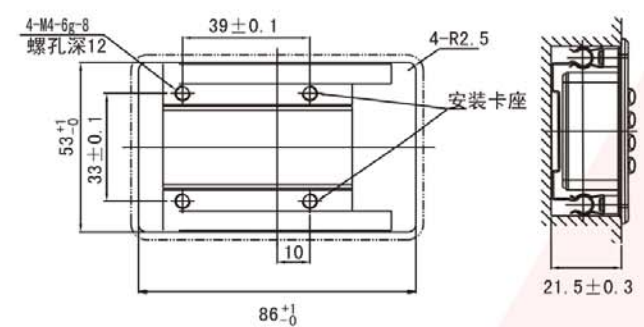


产品编号 Product No.	型号 Type	颜色 Color	额定功率 Rating power	输入电压 Input voltage	色温 Color temperature	环境温度 ambient temperature	重量 weight	防护等级 protection grade
C01040600007	SHYD10-07	黑色	≤4W	DC24V/DC110V	4300~4700K	-25℃~40℃	76.7g	IP30

外形尺寸



开孔尺寸



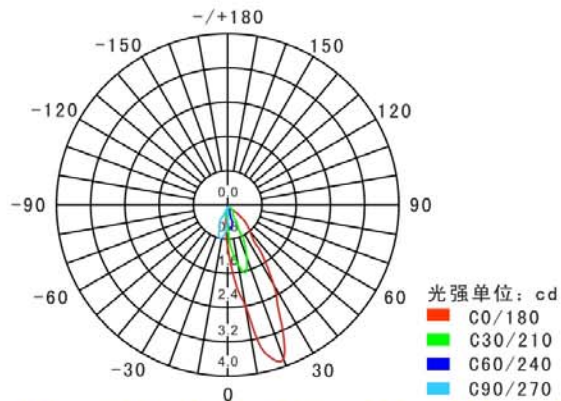
材质说明

- 1、灯体采用铝合金材质,
- 2、表面处理黑色烤漆,
- 3、灯罩采用阻燃PC塑料.
- 接线端子: 721-102/037-000.

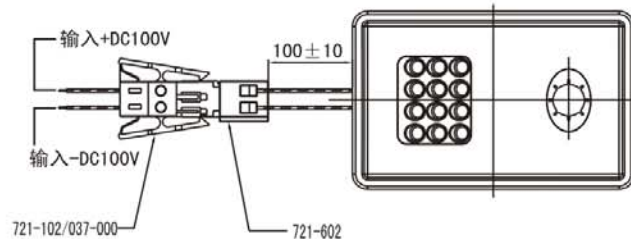
Materials:

- 1. Alloy aluminum LED light body.
- 2. Black coating finish.
- 3. Non-flammable PC plastic lampshade.
- Terminal: WAGO 721-102/037-000.

配光曲线



接线图



产品应用







## Reading Light Venezuela

委内瑞拉阅读灯



产品编号 Product No.	型号 Type	颜色 Color	额定功率 Rating power	输入电压 Input voltage	色温 Color temperature	环境温度 ambient temperature	重量 weight	防护等级 protection grade
C01070700004	SHYD08-01	银灰色	≤10W	DC24V/DC48V /DC110V	3700K±200K	-15℃~65℃	343.2g	Ip30

外形尺寸

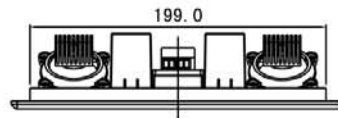
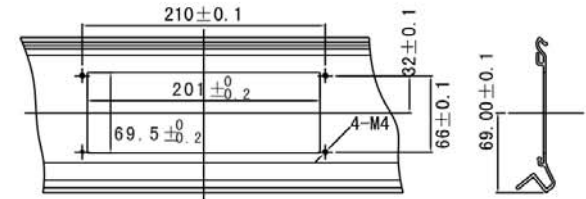
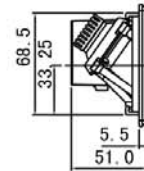
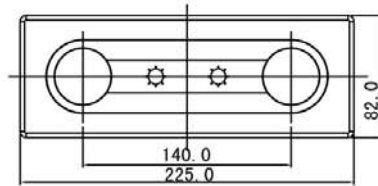
开孔尺寸

### 材质说明

- 1、灯体采用阻燃ABS塑料,
- 2、表面处理银灰色烤漆,
- 3、透镜采用阻燃PC塑料.
- 接线端子: 261-202.

### Materials:

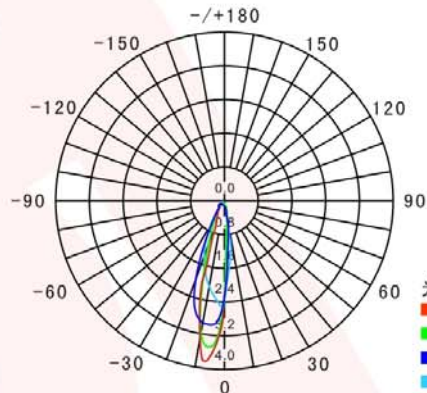
- 1. Non-flammable ABS plastic LED light body.
- 2. Silver coating finish.
- 3. Non-flammable PC plastic lens.
- Terminal: WAGO 261-202.



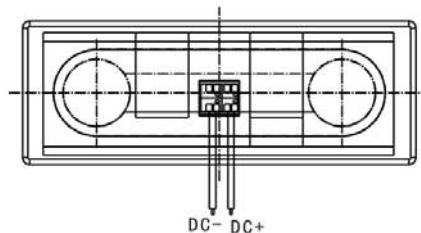
配光曲线

接线图

产品应用



光强单位: cd  
 ■ C0/180  
 ■ C30/210  
 ■ C60/240  
 ■ C90/270



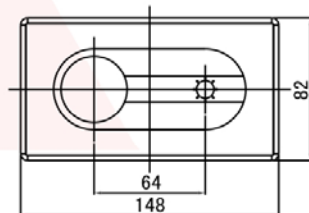
# Reading Light Venezuela Type II

## 委内瑞拉阅读灯 II 型

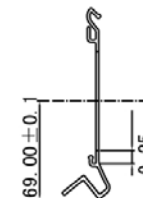
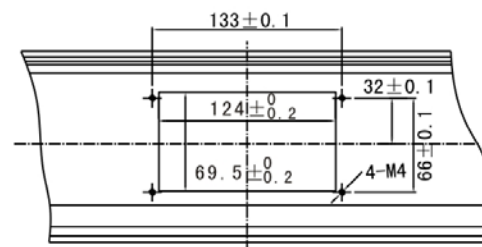
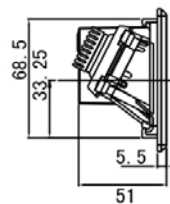


产品编号 Product No.	型号 Type	颜色 Color	额定功率 Rating power	输入电压 Input voltage	色温 Color temperature	环境温度 ambient temperature	重量 weight	防护等级 protection grade
C01070700006	SHYD08-02	银灰色/白色	≤6W	DC24V/DC110V	5600K-6300K	-15°C~65°C	77.4g	Ip30

外形尺寸



开孔尺寸

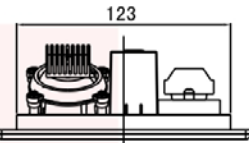


### 材质说明

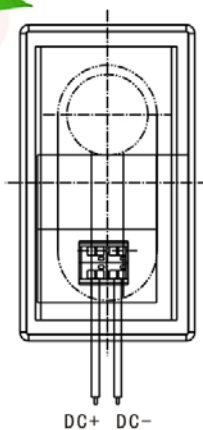
- 1、灯体采用阻燃ABS塑料,
- 2、表面处理银灰色烤漆,
- 3、透镜采用阻燃PC塑料.
- 接线端子: 261-202.

### Materials:

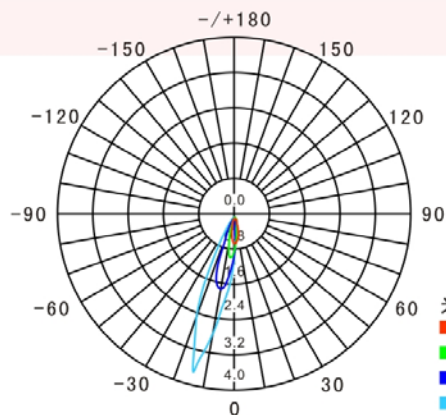
- 1. Non-flammable ABS plastic LED light body.
- 2. Silver coating finish.
- 3. Non-flammable PC plastic lens.
- Terminal: WAGO 261-202.



接线图



配光曲线



产品应用



E-mail: hzy.ltd@hzy2000.com

http://www.hzy2000.com



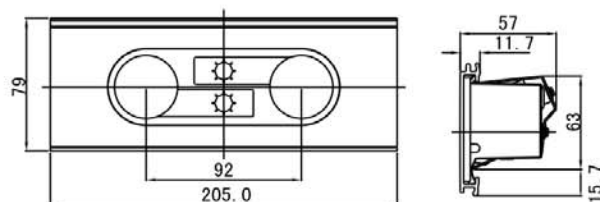
Luggage Rack Reading Light

行李架阅读灯

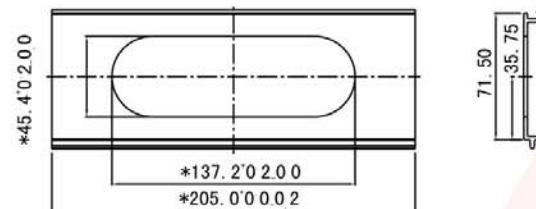


产品编号 Product No.	型号 Type	颜色 Color	额定功率 Rating power	输入电压 Input voltage	色温 Color temperature	环境温度 ambient temperature	重量 weight	防护等级 protection grade
C01080700012	SHYD05-09	银灰色	≤6W	DC110V	3200~3500K	-15℃~45℃	375.0g	Ip30

外形尺寸



开孔尺寸



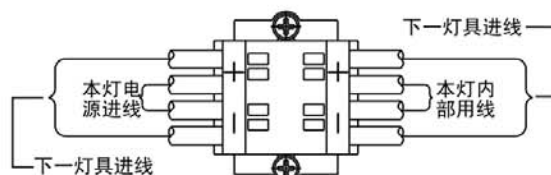
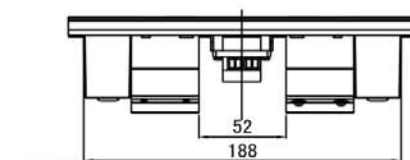
材质说明

- 1. 灯体采用阻燃塑胶ABS,
- 2. 透镜采用阻燃PC塑料.
- 接线端子: 261-202.

Materials:

- 1. Non-flammable ABS plastic LED light body.
- 2. Non-flammable PC plastic lens.
- Terminal: WAGO 261-202.

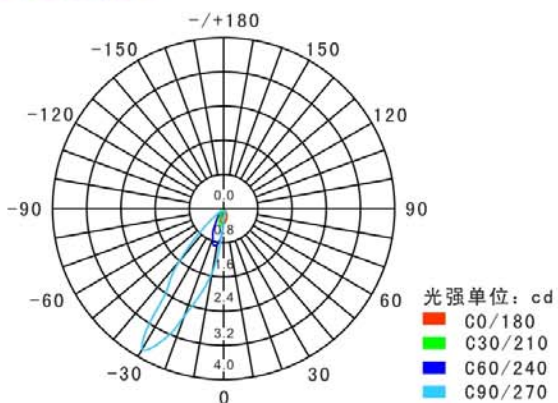
接线图



产品应用



配光曲线



# Luggage Rack Reading Light Type II

## 行李架阅读灯 II 型



### 材质说明

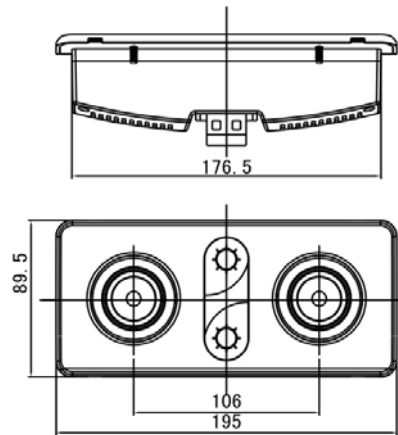
- 1. 灯体采用阻燃塑胶ABS,
- 2. 透镜采用阻燃PC塑料.
- 接线端子: 261-202.

### Materials:

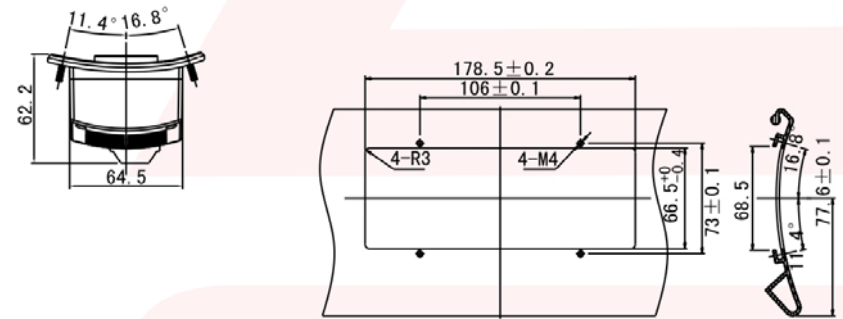
- 1. Non-flammable ABS plastic LED light body.
- 2. Non-flammable PC plastic lens.
- Terminal: WAGO 261-202.

产品编号 Product No.	型号 Type	颜色 Color	额定功率 Rating power	输入电压 Input voltage	色温 Color temperature	环境温度 ambient temperature	重量 weight	防护等级 protection grade
C01080700002	SHYD09-02	RAL9010	≤6.5W	DC24V	3200-3500K	-25℃~40℃	326.2g	Ip30

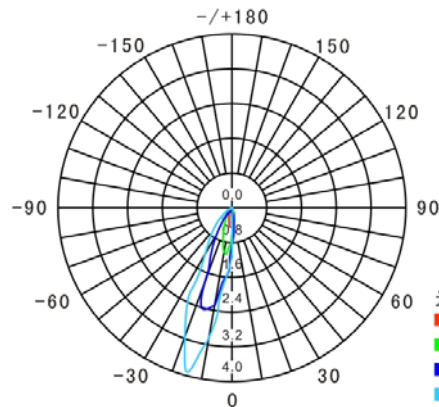
外形尺寸



开孔尺寸

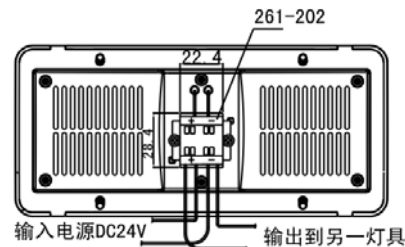


配光曲线



光强单位: cd  
 ■ C0/180  
 ■ C30/210  
 ■ C60/240  
 ■ C90/270

接线图



产品应用

<http://www.hzy2000.com>

1

TEL:+86-0755-26018102



行李架阅读灯III型



Luggage  
Rack  
Reading  
Light  
Type III

材质说明

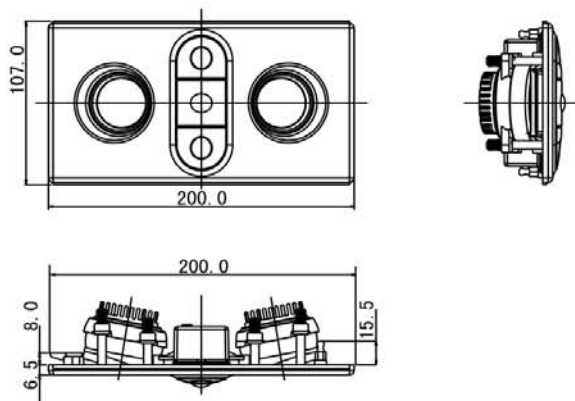
- 1. 灯体采用阻燃塑胶ABS,
- 2. 透镜采用阻燃PC塑料.
- 接线端子: 261-202.

Materials:

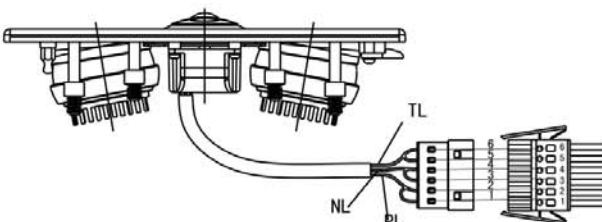
- 1. Non-flammable ABS plastic LED light body.
- 2. Non-flammable PC plastic lens.
- Terminal: WAGO 261-202.

产品编号 Product No.	型号 Type	颜色 Color	额定功率 Rating power	输入电压 Input voltage	色温 Color temperature	环境温度 ambient temperature	重量 weight	防护等级 protection grade
C01080200003	SHYD09-03	RAL9010	≤5W	DC24V	3300K-3700K	-10℃~65℃	349.1g	Ip30

外形尺寸

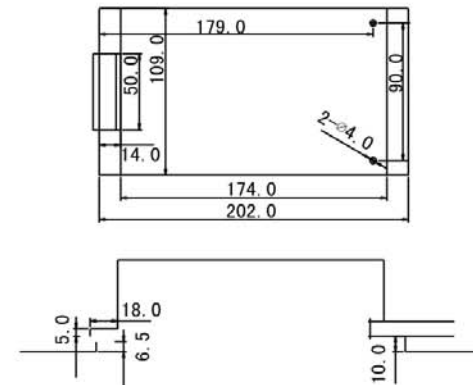


接线图



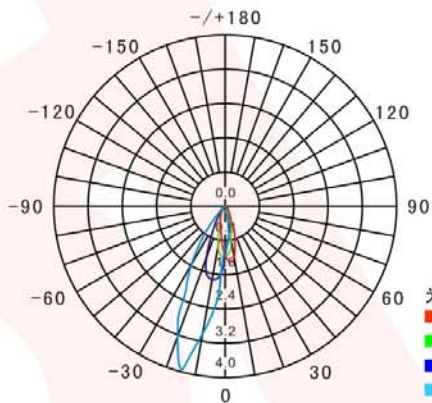
注:  
PI为电源输入正极环绕  
NI为电源输入负极环绕  
TI为电源输入应急环绕

开孔尺寸



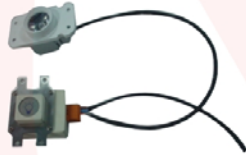
产品应用

配光曲线



光强单位: cd  
■ C0/180  
■ C30/210  
■ C60/240  
■ C90/270

## 行李架阅读灯IV型



## Luggage Rack Reading Light Type IV

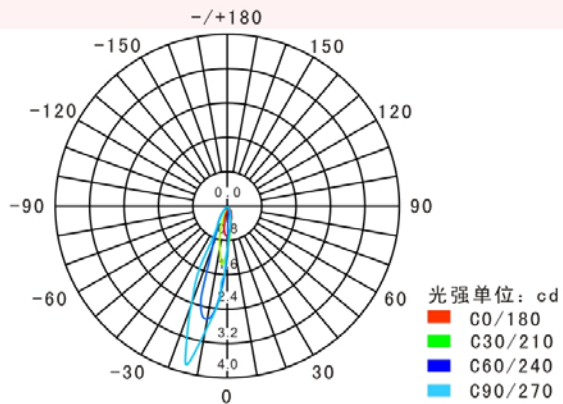
### 材质说明

- 1. 灯体采用阻燃塑胶ABS,
- 2. 表面处理银灰色烤漆,
- 3. 透镜采用阻燃PC塑料.
- 接线端子: 261-202.

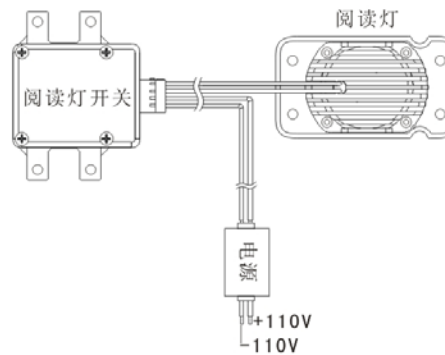
### Materials:

- 1. Non-flammable ABS plastic LED light body.
- 2. Silver coating finish.
- 3. Non-flammable PC plastic lens.
- Terminal: WAGO 261-202.

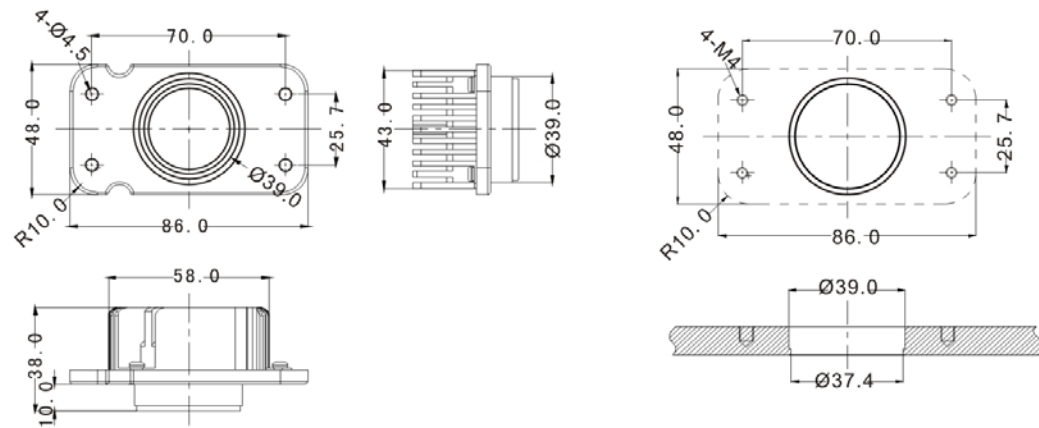
### 配光曲线



### 接线图



### 开孔尺寸



### 产品应用

产品编号 Product No.	型号 Type	颜色 Color	额定功率 Rating power	输入电压 Input voltage	色温 Color temperature	环境温度 ambient temperature	重量 weight	防护等级 protection grade
C01080700005	SHYD309-04	白色	≤5W	DC110V	3200~3500K	-25℃~40℃	77.4g	Ip30

E-mail: hzy.ltd@hzy2000.com

2

http://www.hzy2000.com



Reading Light Type IV

阅读灯IV型



材质说明

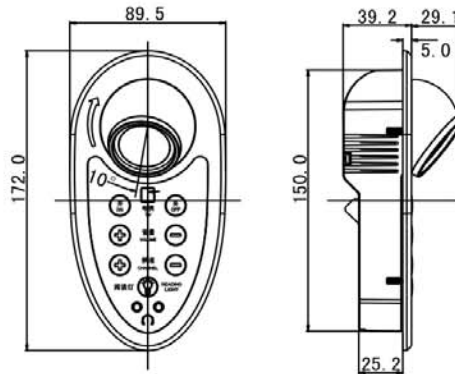
- 1. 灯体采用阻燃塑胶ABS,
- 2. 透镜采用阻燃PC塑料.
- 接线端子: 236-410.

Materials:

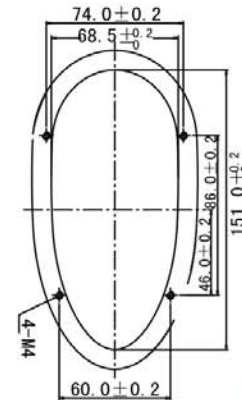
- 1.Non-flammable ABS plastic LED light body.
- 2.Non-flammable PC plastic lens.
- Terminal:WAGO 236-410.

产品编号 Product No.	型号 Type	颜色 Color	额定功率 Rating power	输入电压 Input voltage	色温 Color temperature	环境温度 ambient temperature	重量 weight	防护等级 protection grade
C01020600032	SHYD02-09	银灰色	≤4W	DC24V	4200~4600K	-25℃~40℃	200.4g	IP30

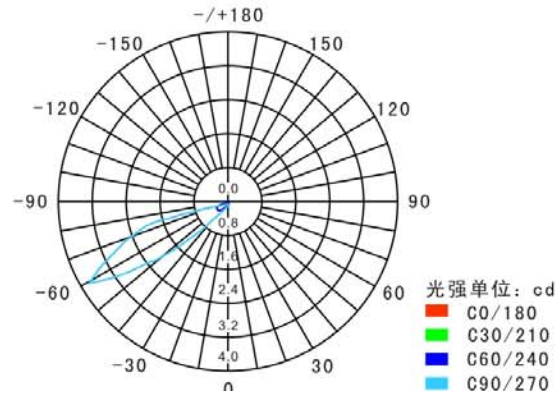
外形尺寸



开孔尺寸



配光曲线



接线图



产品应用



## 阅读灯 IX 型

## Reading Light Type IX



产品编号 Product No.	型号 Type	颜色 Color	额定功率 Rating power	输入电压 Input voltage	色温 Color temperature	环境温度 ambient temperature	重量 weight	防护等级 protection grade
C01020700051	SHYD02-14	白色	≤4W	DC110V	3200K-3500K	-40℃~40℃	167.8g	IP30

外形尺寸

开孔尺寸

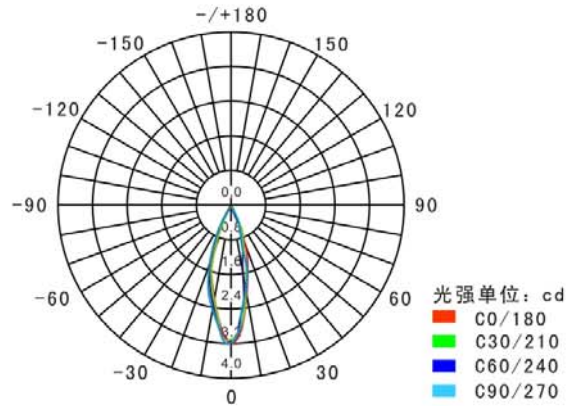
### 材质说明

- 1. 灯体采用阻燃塑胶ABS,
- 2. 表面处理白色烤漆, 透镜采用阻燃PC塑料.
- 3. 接线端子: 236-410.

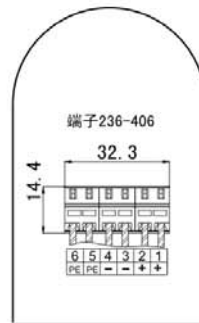
### Materials:

- 1. Non-flammable ABS plastic LED light body.
- 2. White coating finish.
- 3. Non-flammable PC plastic lens.
- 4. Terminal: WAGO 236-410.

配光曲线



接线图



产品应用



<http://www.hzy2000.com>

1

TEL:+86-0755-26018102



座车阅读灯



产品编号 Product No.	型号 Type	颜色 Color	额定功率 Rating power	输入电压 Input voltage	色温 Color temperature	环境温度 ambient temperature	重量 weight	防护等级 protection grade
C01060200002	SHD05-07B	灰色	≤10W	DC110V	5600K-6300K	-10℃-65℃	471.3g	Ip30

Seat Car Reading Light

外形尺寸

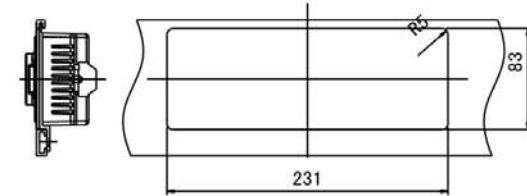
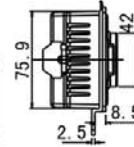
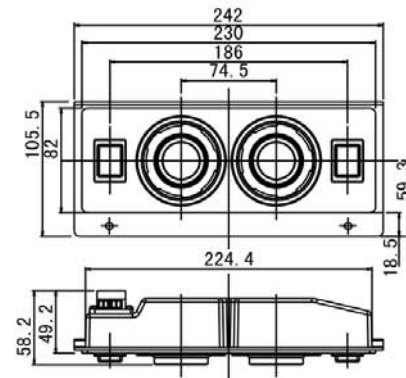
开孔尺寸

材质说明

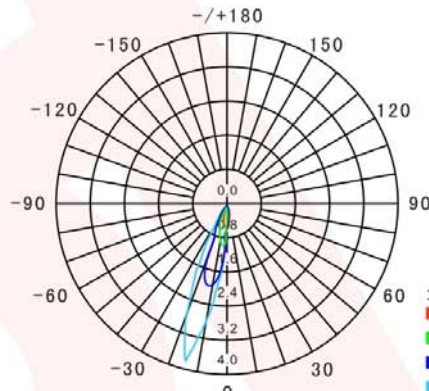
- 1. 灯体采用阻燃塑胶ABS,
- 2. 透镜采用阻燃PC塑料.
- 接线端子: 261-202.

Materials:

- 1.Non-flammable ABS plastic LED light body.
- 2.Non-flammable PC plastic lens.
- Terminal:WAGO 261-202.

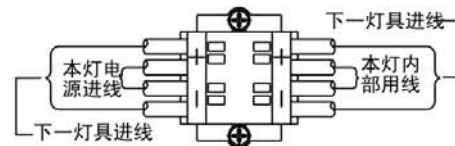


配光曲线



光强单位: cd  
 ■ C0/180  
 ■ C30/210  
 ■ C60/240  
 ■ C90/270

接线图



产品应用



# Luggage Rack Reading Light Type V

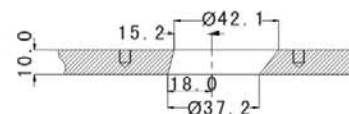
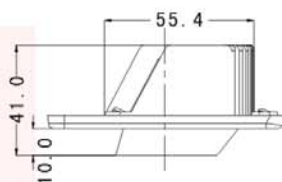
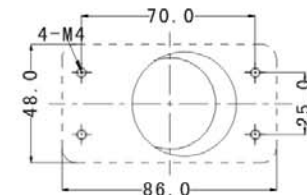
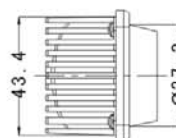
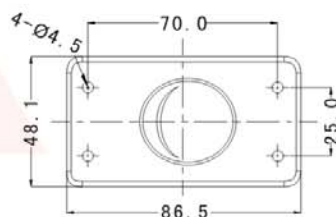
## 行李架阅读灯 V 型



产品编号 Product No.	型号 Type	颜色 Color	额定功率 Rating power	输入电压 Input voltage	色温 Color temperature	环境温度 ambient temperature	重量 weight	防护等级 protection grade
C01080700006	SHYD309-05	白色	≤4W	DC110V	3200-3500K	-25℃-40℃	77.4g	Ip30

外形尺寸

开孔尺寸



### 材质说明

- 1. 灯体采用阻燃塑胶ABS,
- 2. 透镜采用阻燃PC塑料.
- 接线端子: 261-202.

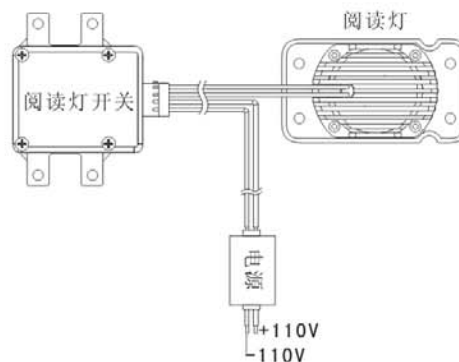
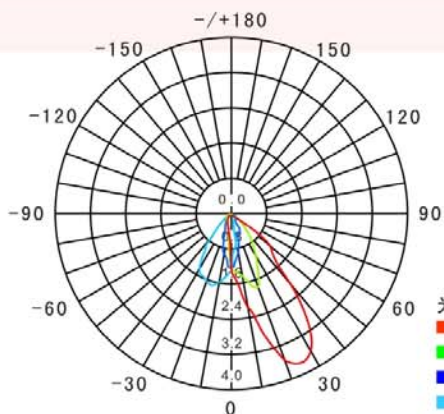
### Materials:

- 1.Non-flammable ABS plastic LED light body.
- 2.Non-flammable PC plastic lens.
- Terminal:WAGO 261-202.

配光曲线

接线图

产品应用



E-mail: [hzy.ltd@hzy2000.com](mailto:hzy.ltd@hzy2000.com)

<http://www.hzy2000.com>



## 2. LED Spot Lights



大功率LED射灯IA型

产品编号 Product No.	型号 Type	颜色 Color	额定功率 Rating power	输入电压 Input voltage	色温 Color temperature	环境温度 ambient temperature	重量 weight	防护等级 protection grade
C02010700067	SHSD03-18	金色	≤3W	DC48V/DC110V	3800~4200K	-25℃~40℃	222.4g	IP30



High Power LED Spotlight Type IA

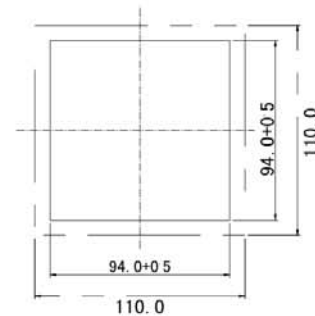
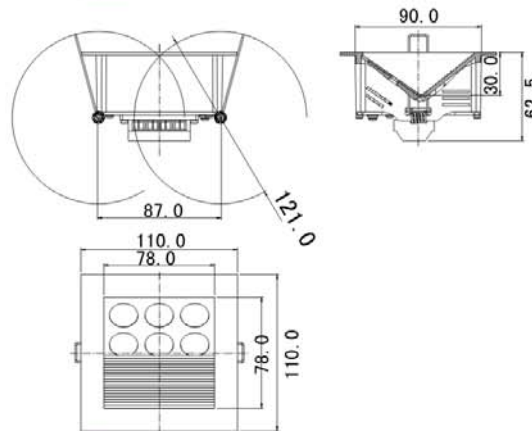
材质说明

- 1、灯体采用铝合金材质,
- 2、表面处理金色烤漆,
- 3、透镜采用阻燃PC塑料.
- 接线端子: 万可260-205.

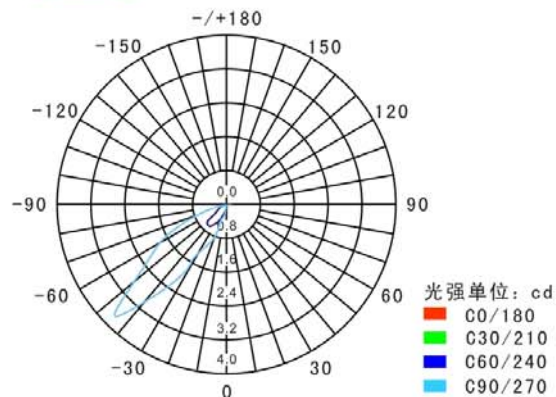
Materials:

- 1. Alloy aluminum LED light body.
- 2. Golden coating finish.
- 3. Non-flammable PC plastic lens.
- Terminal :WAGO 260-205.

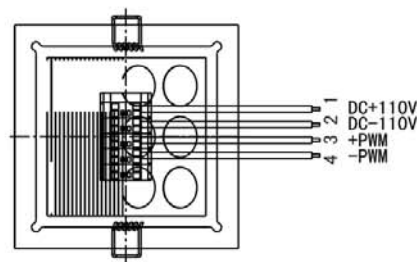
开孔尺寸



配光曲线



接线图



产品应用



# High Power LED Spotlight Type IB

大功率LED射灯IB型



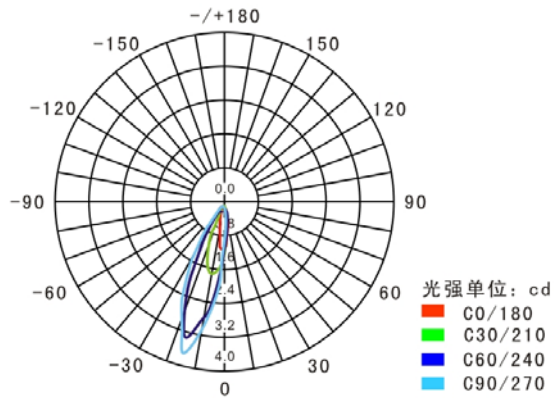
## 材质说明

- 1、灯体采用铝合金材质,
- 2、表面处理金色烤漆,
- 3、透镜采用阻燃PC塑料.
- 接线端子: 260-205.

## Materials:

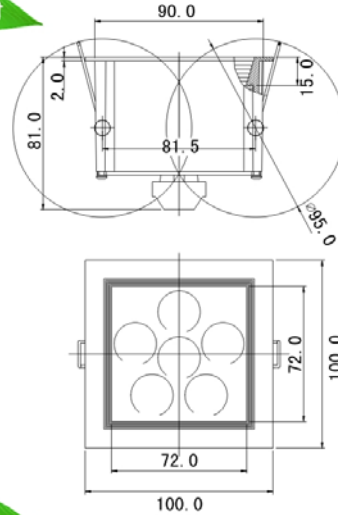
- 1. Alloy aluminum LED light body.
- 2. Golden coating finish.
- 3. Non-flammable PC plastic lens.
- Terminal: WAGO 260-205.

## 配光曲线

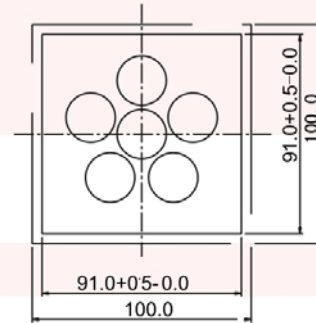


产品编号 Product No.	型号 Type	颜色 Color	额定功率 Rating power	输入电压 Input voltage	色温 Color temperature	环境温度 ambient temperature	重量 weight	防护等级 protection grade
C02010700069	SHSD03-19	金色	≤6.5W	DC110V	2800~3200K	-45℃~70℃	391.9g	Ip54

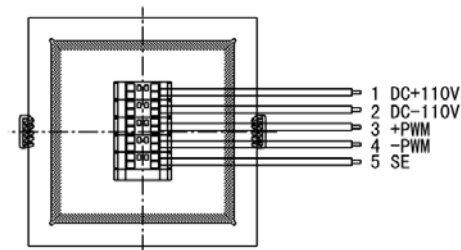
## 外形尺寸



## 开孔尺寸



## 接线图



## 产品应用



<http://www.hzy2000.com>

1

TEL:+86-0755-26018102

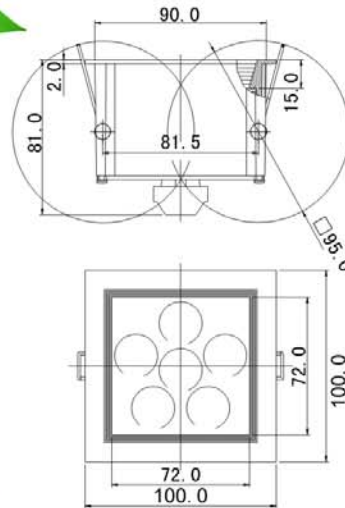


大功率LED射灯IC型

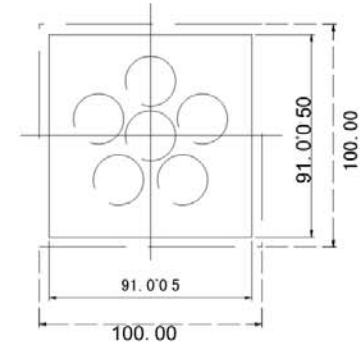


产品编号 Product No.	型号 Type	颜色 Color	额定功率 Rating power	输入电压 Input voltage	色温 Color temperature	环境温度 ambient temperature	重量 weight	防护等级 protection grade
C02010700070	SHSD03-20	金色	≤6.5W	DC110V	2800~3200K	-45℃~70℃	389.1g	Ip54

外形尺寸



开孔尺寸



材质说明

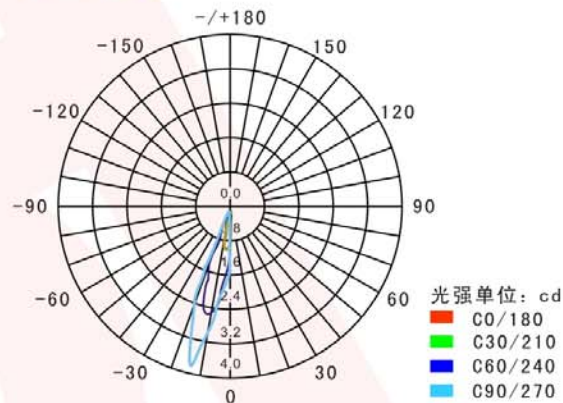
- 1、灯体采用铝合金材质,
- 2、表面处理金色烤漆,
- 3、透镜采用阻燃PC塑料.
- 接线端子: 万可260-205.

High Power LED  
Spotlight  
Type IC

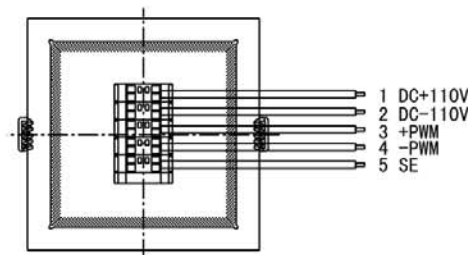
Materials:

- 1. Alloy aluminum LED light body.
- 2. Golden coating finish.
- 3. Non-flammable PC plastic lens.
- Terminal: WAGO 260-205.

配光曲线



接线图



产品应用



大功率LED射灯ID型



产品编号 Product No.	型号 Type	颜色 Color	额定功率 Rating power	输入电压 Input voltage	色温 Color temperature	环境温度 ambient temperature	重量 weight	防护等级 protection grade
C02010700071	SHSD03-21	金色	≤6.5W	DC110V	2800~3200K	-45℃~70℃	393.7	Ip54

High Power LED  
Spotlight  
Type ID

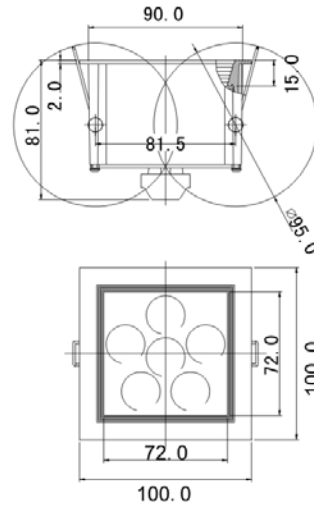
材质说明

- 1、灯体采用铝合金材质,
- 2、表面处理金色烤漆,
- 3、透镜采用阻燃PC塑料.
- 接线端子: 260-205.

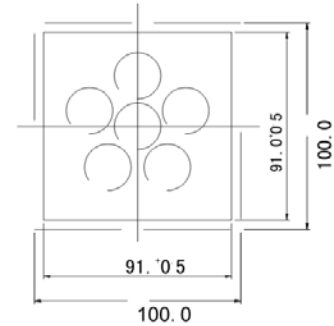
Materials:

- 1. Alloy aluminum LED light body.
- 2. Golden coating finish.
- 3. Non-flammable PC plastic lens.
- Terminal: WAGO 260-205.

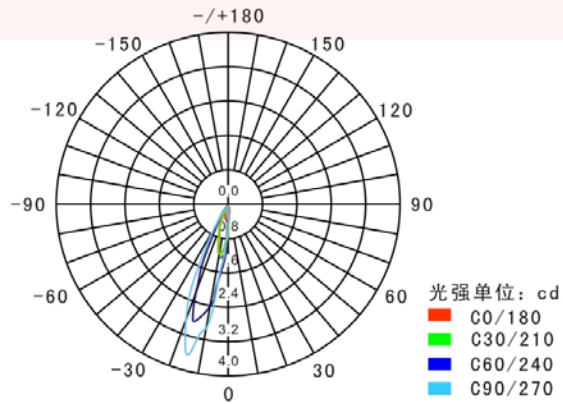
外形尺寸



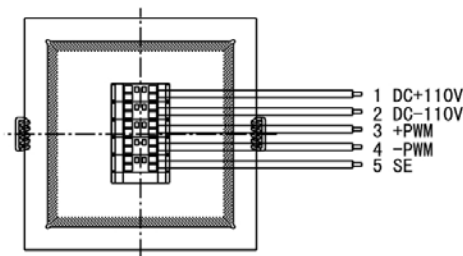
开孔尺寸



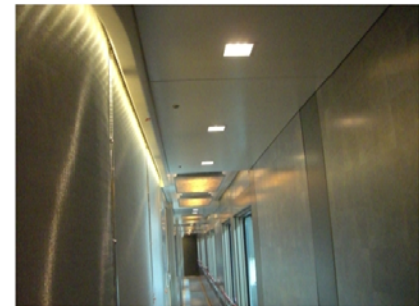
配光曲线



接线图



产品应用



E-mail:hzy.ltd@hzy2000.com

http://www.hzy2000.com

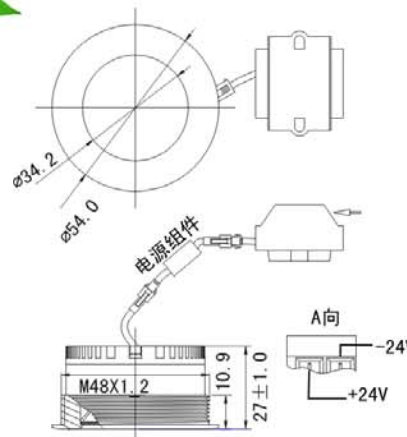


大功率LED射灯IF型

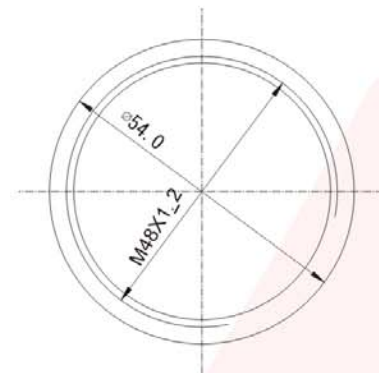


产品编号 Product No.	型号 Type	颜色 Color	额定功率 Rating power	输入电压 Input voltage	色温 Color temperature	环境温度 ambient temperature	重量 weight	防护等级 protection grade
C02010200002	SHSD03-23	电镀	≤3W	DC24V	3800~4200K	-25℃~40℃	84.3g	Ip54

外形尺寸



开孔尺寸



材质说明

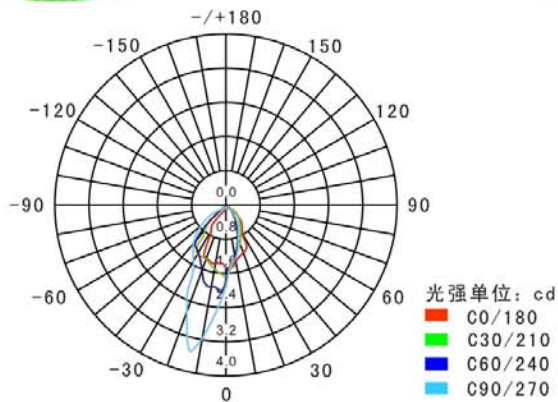
- 1. 灯体采用铝合金材质.
- 2. 表面镀铬处理.
- 3. 透镜采用阻燃PC塑料.
- 接线端子: 万可260-202.

Materials:

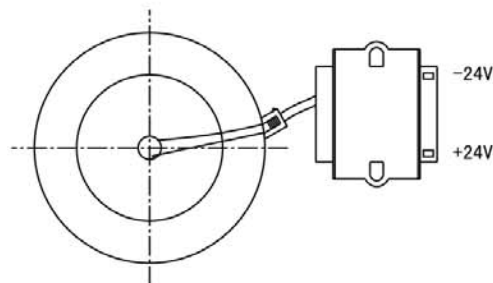
- 1. Alloy aluminum LED light body.
- 2. Chromium plated finish.
- 3. Non-flammable PC plastic lens.
- Terminal :WAGO 260-202.

High Power LED  
Spotlight  
Type IF

配光曲线



接线图



产品应用



### 大功率LED射灯IG型



产品编号 Product No.	型号 Type	颜色 Color	额定功率 Rating power	输入电压 Input voltage	色温 Color temperature	环境温度 ambient temperature	重量 weight	防护等级 protection grade
C02010200003	SHSD03-24	电镀	≤3W	DC24V	3800K~4200K	-25℃~40℃	60.5g	Ip54

### High Power LED Spotlight Type IG

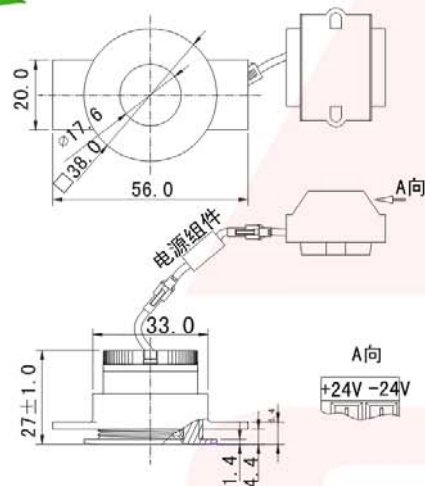
#### 材质说明

- 1. 灯体采用铝合金材质,
- 2. 表面镀铬处理,
- 3. 透镜采用阻燃PC塑料.
- 接线端子: 万可260-202.

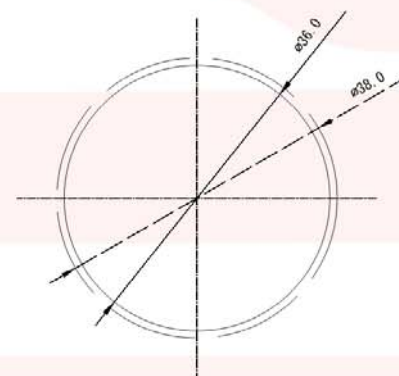
#### Materials:

- 1. Alloy aluminum LED light body.
- 2. Chromium plated finish.
- 3. Non-flammable PC plastic lens.
- Terminal :WAGO 260-202.

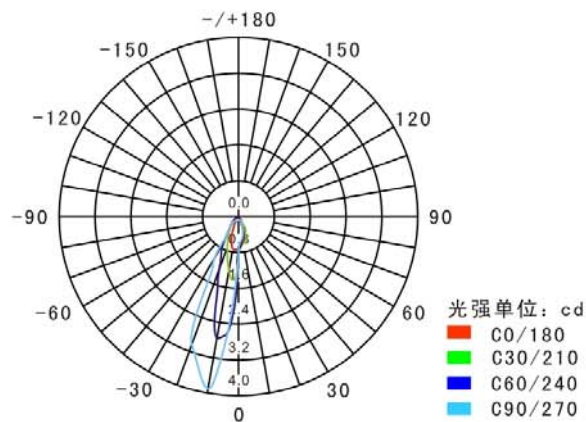
外形尺寸



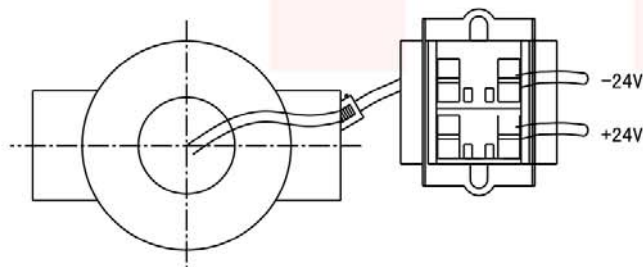
开孔尺寸



配光曲线



接线图



产品应用

<http://www.hzy2000.com>

3

TEL:+86-0755-26018102



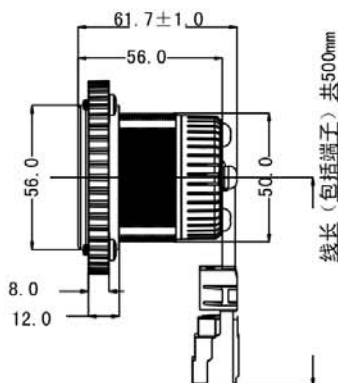
大功率LED射灯IH型



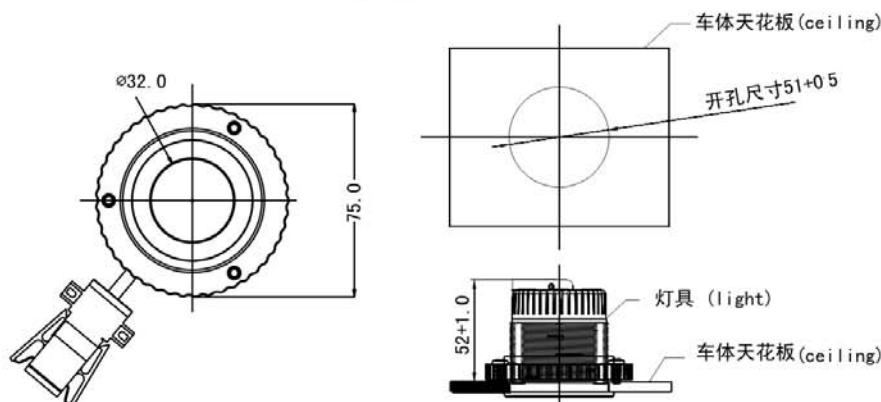
High Power LED  
Spotlight  
Type IH

产品编号 Product No.	型号 Type	颜色 Color	额定功率 Rating power	输入电压 Input voltage	色温 Color temperature	环境温度 ambient temperature	重量 weight	防护等级 protection grade
C02010700084	SHSD03-25	电镀	≤7W	DC110V	3200K-3500K	-25℃~40℃	196.9g	Ip54

外形尺寸



开孔尺寸



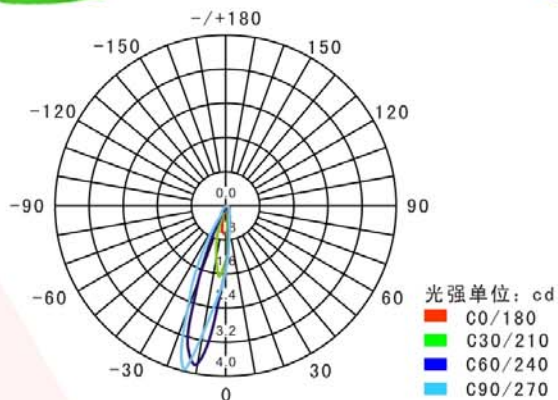
材质说明

- 1. 灯体采用铝合金材质,
- 2. 表面镀铬处理,
- 3. 透镜采用阻燃PC塑料.
- 接线端子: 万可261-202.

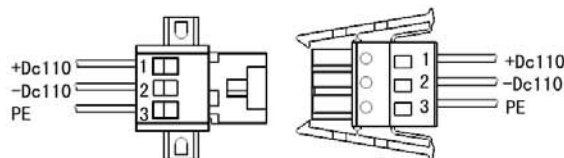
Materials:

- 1. Alloy aluminum LED light body.
- 2. Chromium plated finish.
- 3. Non-flammable PC plastic lens.
- Terminal :WAGO 261-202.

配光曲线



接线图



产品应用



### 大功率LED射灯VI型



#### 材质说明

- 1. 灯体采用铝合金材质.
- 2. 表面处理金色烤漆.
- 3. 透镜采用阻燃PC塑料.
- 接线端子型号: 261-205.

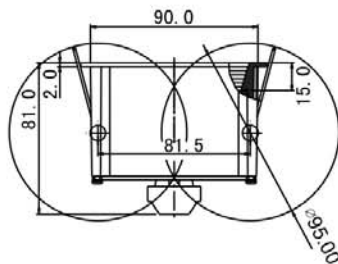
#### Materials:

- 1. Alloy aluminum LED light body.
- 2. Golden coating finish.
- 3. Non-flammable PC plastic lens.
- Terminal: WAGO 261-205.

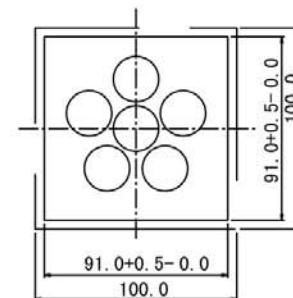
## High Power LED Spotlight Type VI

产品编号 Product No.	型号 Type	颜色 Color	额定功率 Rating power	输入电压 Input voltage	色温 Color temperature	环境温度 ambient temperature	重量 weight	防护等级 protection grade
C02010700063	SHSD03-13	金色	≤9W	DC110V	2800~3200K	-45℃~70℃	387.1g	Ip54

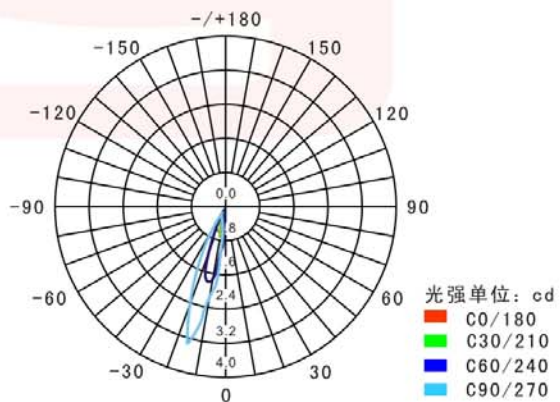
外形尺寸



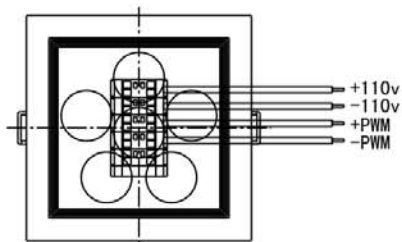
开孔尺寸



配光曲线



接线图



产品应用



E-mail: [hzy.ltd@hzy2000.com](mailto:hzy.ltd@hzy2000.com)

<http://www.hzy2000.com>



大功率LED射灯 I 型



High Power LED  
Spotlight  
Type I

材质说明

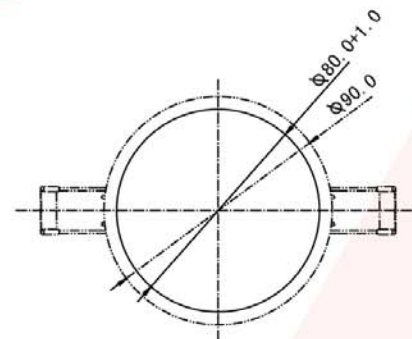
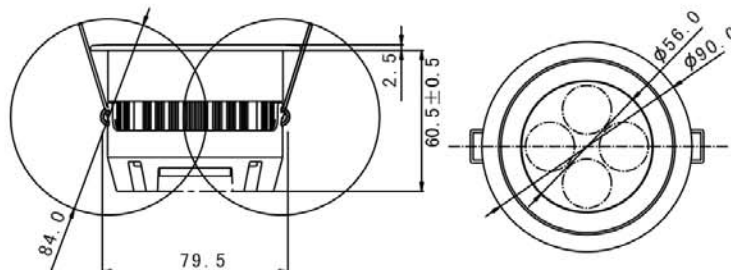
- 1、灯体采用铝合金材质,
- 2、表面处理银灰色烤漆,
- 3、透镜采用阻燃PC塑料.
- 接线端子: 261-202.

Materials:

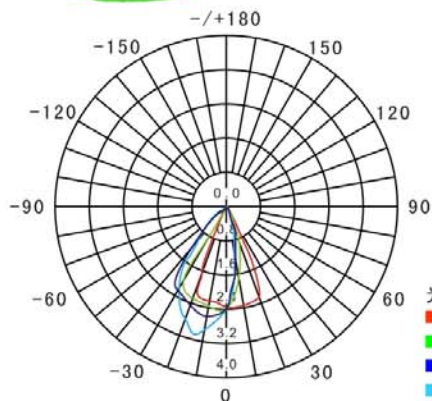
- 1. Alloy aluminum LED light body.
- 2. Silver coating finish.
- 3. Non-flammable PC plastic lens.
- Terminal: WAGO 261-202.

产品编号 Product No.	型号 Type	颜色 Color	额定功率 Rating power	输入电压 Input voltage	色温 Color temperature	环境温度 ambient temperature	重量 weight	防护等级 protection grade
C02010400018	SHSD03-07	银灰色	≤15W	DC48V	6000K~7000K	-45℃~70℃	300g	Ip54

开孔尺寸

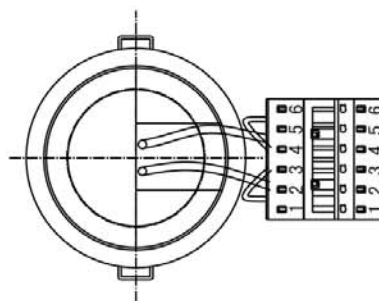


配光曲线



光强单位: cd  
 ■ C0/180  
 ■ C30/210  
 ■ C60/240  
 ■ C90/270

接线图



产品应用



## 大功率LED射灯II型



## High Power LED Spotlight Type II

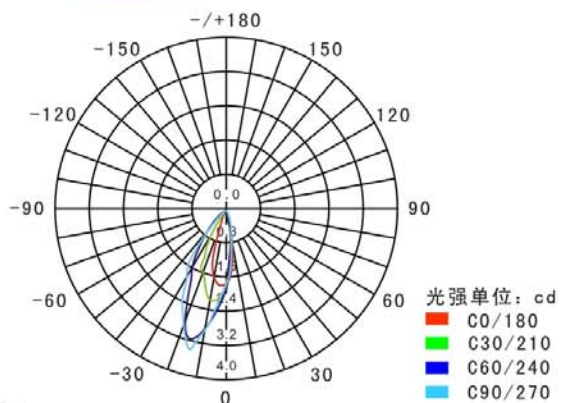
### 材质说明

- 1、灯体采用铝合金材质,
- 2、表面处理银灰色烤漆,
- 3、透镜采用阻燃PC塑料.
- 接线端子: 770-203、770-213.

### Materials:

- 1. Alloy aluminum LED light body.
- 2. Silver coating finish.
- 3. Non-flammable PC plastic lens.
- Terminal: WAGO 770-203 or 770-203.

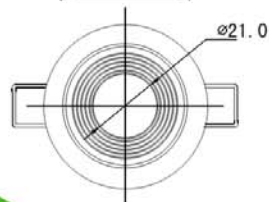
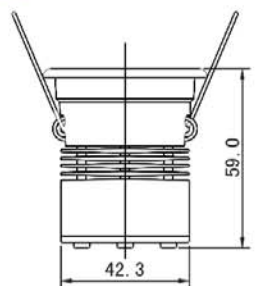
### 配光曲线



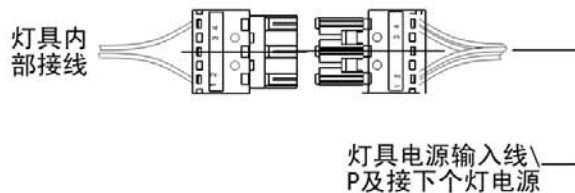
<http://www.hzy2000.com>

产品编号 Product No.	型号 Type	颜色 Color	额定功率 Rating power	输入电压 Input voltage	色温 Color temperature	环境温度 ambient temperature	重量 weight	防护等级 protection grade
C02020100138	SHSD03-08	银灰色	≤7W	DC12V	3000K~3400K	-20℃~70℃	150g	Ip54

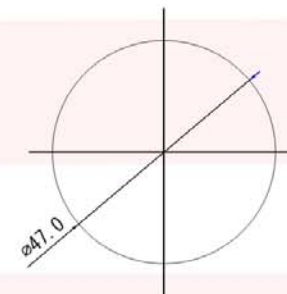
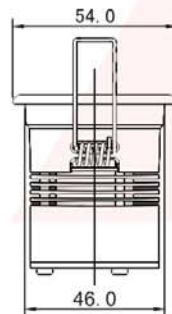
### 外形尺寸



### 接线图



### 开孔尺寸



### 产品应用



1

TEL:+86-0755-26018102



大功率LED射灯III型



High Power LED  
Spotlight  
Type III

材质说明

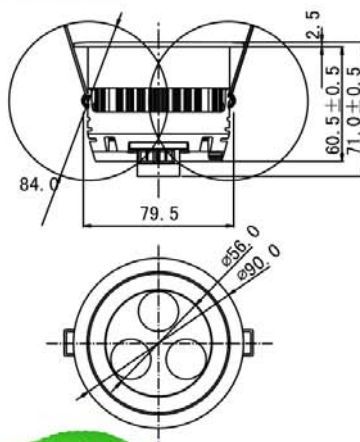
- 1、灯体采用铝合金材质,
- 2、表面处理银灰色烤漆,
- 3、透镜采用阻燃PC塑料.
- 接线端子: 261-202.

Materials:

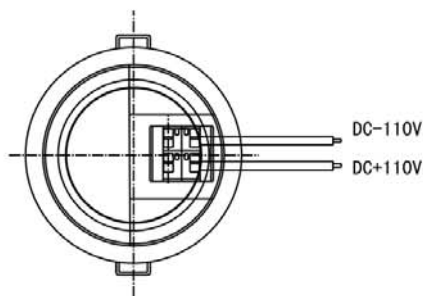
- 1. Alloy aluminum LED light body.
- 2. Silver coating finish.
- 3. Non-flammable PC plastic lens.
- Terminal: WAGO 261-202.

产品编号 Product No.	型号 Type	颜色 Color	额定功率 Rating power	输入电压 Input voltage	色温 Color temperature	环境温度 ambient temperature	重量 weight	防护等级 protection grade
C02010700060	SHSD03-09	银灰色	≤10W	DC110V	5500K~6000K	-45℃~70℃	321g	Ip54

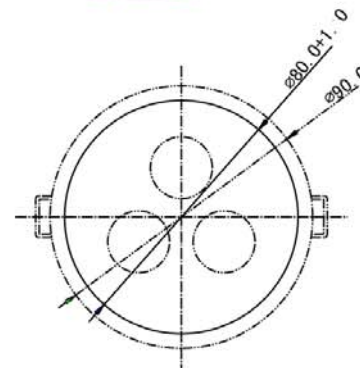
外形尺寸



接线图



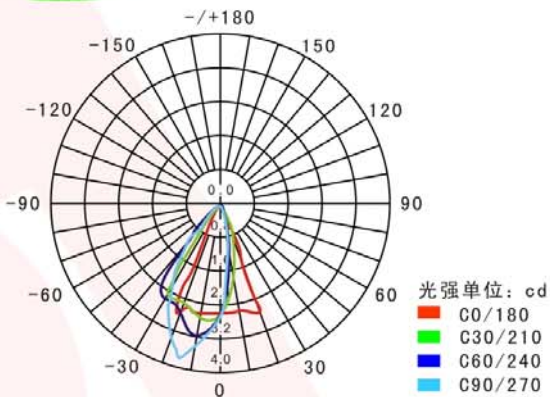
配光曲线



产品应用



开孔尺寸



大功率LED射灯IV型



High Power LED  
Spotlight  
Type IV

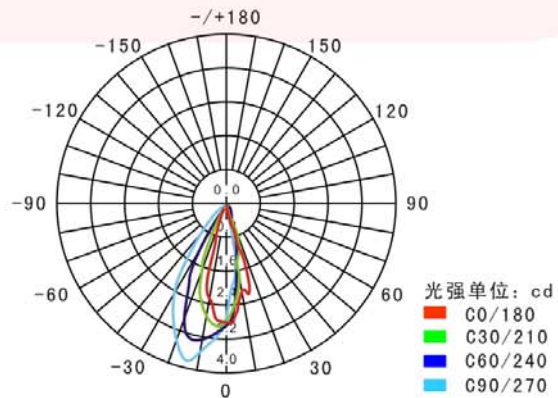
材质说明

- 1、灯体采用铝合金材质,
- 2、表面处理银灰色烤漆,
- 3、透镜采用阻燃PC塑料.
- 接线端子: 261-202.

Materials:

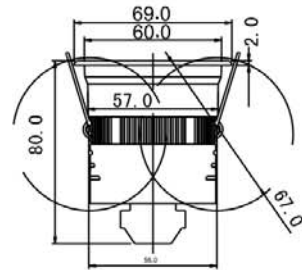
- 1. Alloy aluminum LED light body.
- 2. Silver coating finish.
- 3. Non-flammable PC plastic lens.
- Terminal: WAGO 261-202.

配光曲线

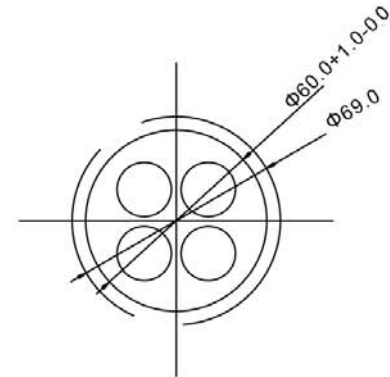


产品编号 Product No.	型号 Type	颜色 Color	额定功率 Rating power	输入电压 Input voltage	色温 Color temperature	环境温度 ambient temperature	重量 weight	防护等级 protection grade
C02010700078	SHSD03-10	银灰色	≤12W	DC110V	2800K~3200K	-45℃~70℃	217g	Ip54

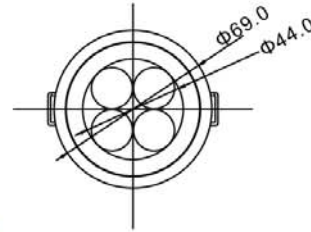
外形尺寸



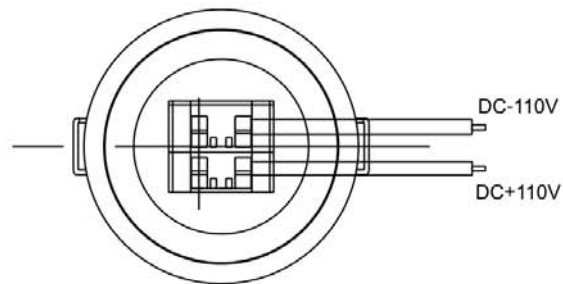
开孔尺寸



接线图



产品应用



E-mail: hzy.ltd@hzy2000.com

http://www.hzy2000.com



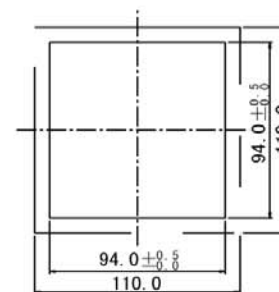
大功率LED射灯X型



产品编号 Product No.	型号 Type	颜色 Color	额定功率 Rating power	输入电压 Input voltage	色温 Color temperature	环境温度 ambient temperature	重量 weight	防护等级 protection grade
C02010700066	SHSD03-17	9016	≤8W	DC110V	3800K-4200K	-45℃~70℃	222.4g	Ip54

## High Power LED Spotlight Type X

开孔尺寸



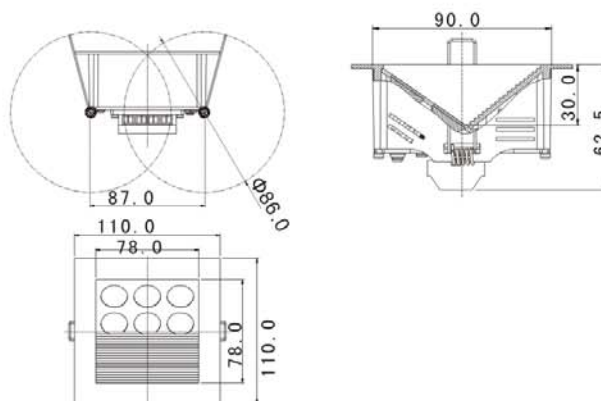
### 材质说明

- 1、灯体采用铝合金材质,
- 2、表面处理银灰色烤漆,
- 3、透镜采用阻燃PC塑料.

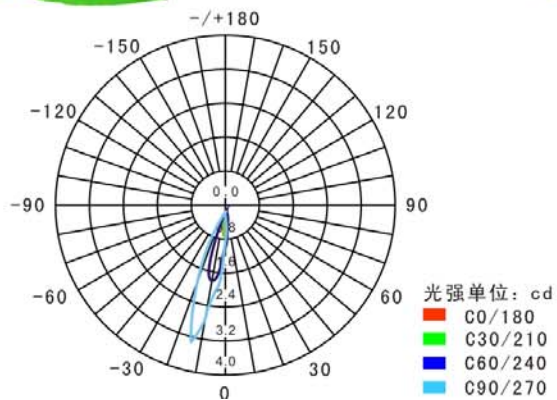
- 接线端子: 260-205

### Materials:

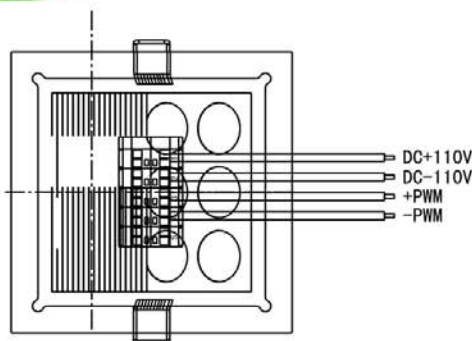
- 1. Alloy aluminum LED light body.
- 2. Silver coating finish.
- 3. Non-flammable PC plastic lens.
- Terminal: WAGO 260-205.



配光曲线



接线图



产品应用



# High Power LED Spotlight Type IO

大功率LED射灯IO型



产品编号 Product No.	型号 Type	颜色 Color	额定功率 Rating power	输入电压 Input voltage	色温 Color temperature	环境温度 ambient temperature	重量 weight	防护等级 protection grade
C02010700090	SHSD03-03	银灰色	≤6W	DC110V	3100K~3300K	-25℃~40℃	189.7g	Ip54

外形尺寸

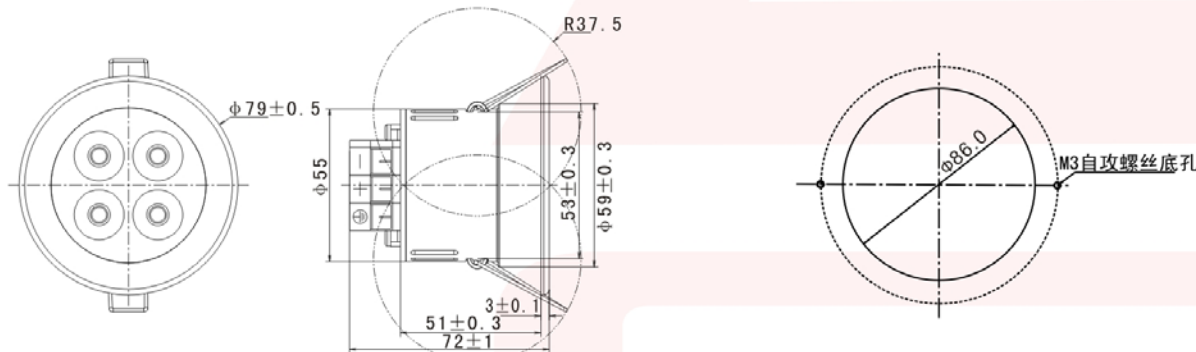
开孔尺寸

## 材质说明

- 1、灯体采用铝合金材质,
- 2、表面处理银灰色烤漆,
- 3、透镜采用阻燃PC塑料.
- 接线端子: 261-331、261-361、261-337.

## Materials:

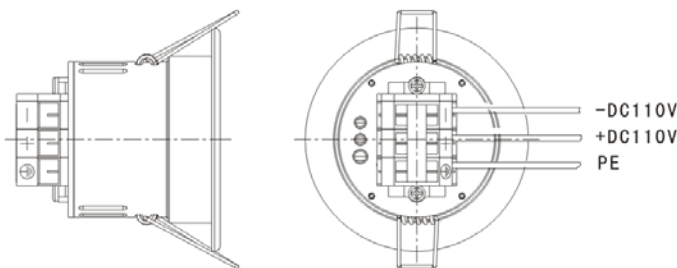
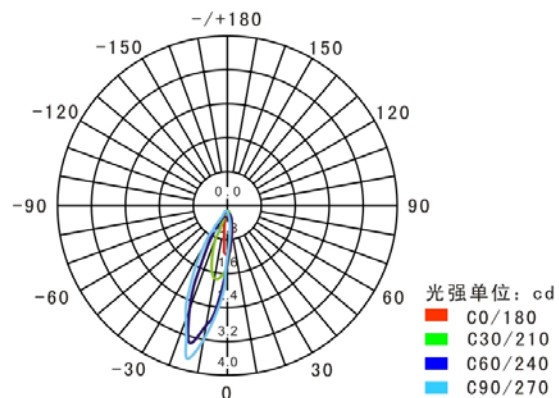
- 1. Alloy aluminum LED light body.
- 2. Silver coating finish.
- 3. Non-flammable PC plastic lens.
- Terminal: WAGO 261-331、261-361 or 261-337.



配光曲线

接线图

产品应用



<http://www.hzy2000.com>

1

TEL:+86-0755-26018102



大功率LED射灯IJ型



High Power LED  
Spotlight Type IJ

材质说明

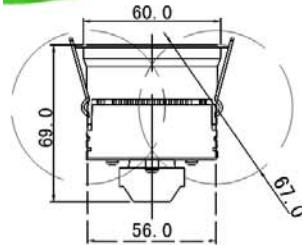
- 1、灯体采用铝合金材质。
- 2、表面镀铬处理。
- 3、透镜采用阻燃PC塑料。
- 接线端子：万可260-203。

Materials:

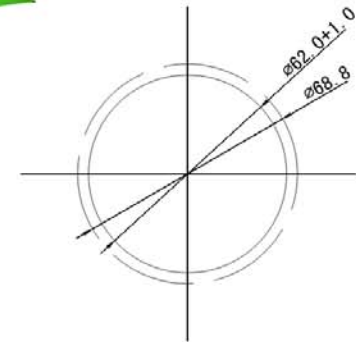
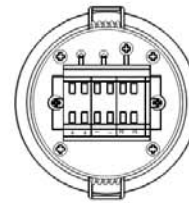
- 1. Alloy aluminum LED light body.
- 2. Chromium plated finish.
- 3. Non-flammable PC plastic lens.
- Terminal :WAGO 260-203.

产品编号 Product No.	型号 Type	颜色 Color	额定功率 Rating power	输入电压 Input voltage	色温 Color temperature	环境温度 ambient temperature	重量 weight	防护等级 protection grade
G02010600036	SHSD03-26	电镀	≤3W	DC110V	4300K~4700K	-25℃~40℃	287.7g	Ip54

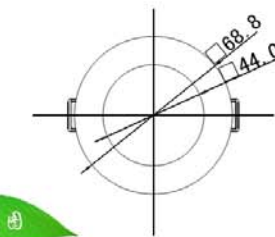
尺寸



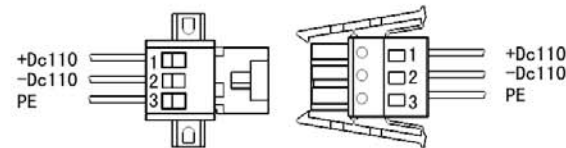
开孔尺寸



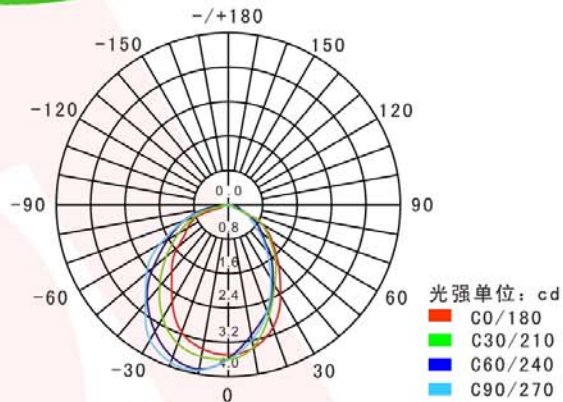
接线图



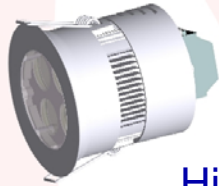
产品应用



配光曲线



大功率LED射灯IK型



High Power LED  
Spotlight Type IK

材质说明

- 1、灯体采用铝合金材质,
- 2、表面处理银灰色烤漆,
- 3、透镜采用阻燃PC塑料.
- 接线端子: 734-303和734-103 /037-000.

Materials:

- 1. Alloy aluminum LED light body.
- 2. Silver coating finish.
- 3. Non-flammable PC plastic lens.
- Terminal: WAGO 734-303 or 734-103/037-000.

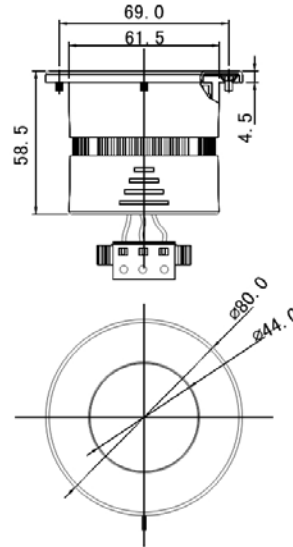
配光曲线

接线图

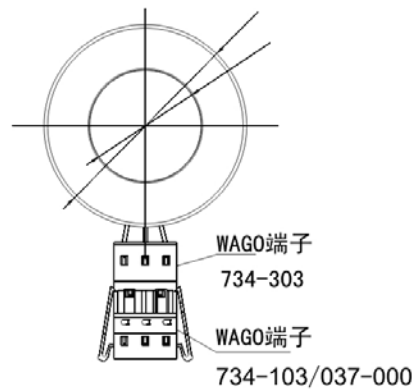
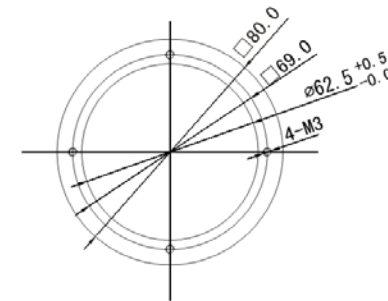
产品应用

产品编号 Product No.	型号 Type	颜色 Color	额定功率 Rating power	输入电压 Input voltage	色温 Color temperature	环境温度 ambient temperature	重量 weight	防护等级 protection grade
C02010700086	SHSD03-27	银灰色	≤12W	DC110V	2800K~3200K	-45℃~70℃		Ip54

外形尺寸



开孔尺寸



E-mail:hzy.ltd@hzy2000.com

http://www.hzy2000.com



大功率LED射灯VIII型



产品编号 Product No.	型号 Type	颜色 Color	额定功率 Rating power	输入电压 Input voltage	色温 Color temperature	环境温度 ambient temperature	重量 weight	防护等级 protection grade
C02010700068	SHSD03-15	电镀	≤5.5W	DC110V	3800~4200K	-25℃~40℃	238g	Ip

## High Power LED Spotlight Type VIII

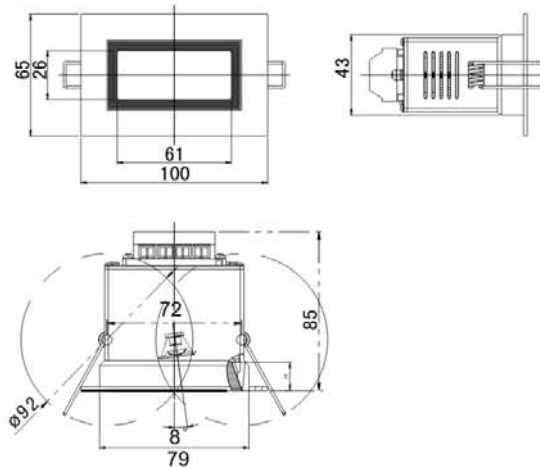
### 材质说明

- 1、灯体采用铝合金材质,
- 2、表面处理银灰色烤漆,
- 3、透镜采用阻燃PC塑料.
- 接线端子: 260-207.

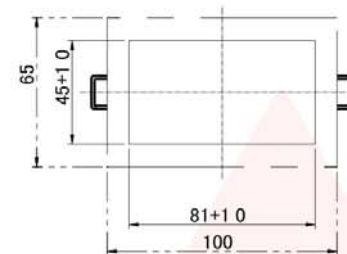
### Materials:

- 1. Alloy aluminum LED light body.
- 2. Silver coating finish.
- 3. Non-flammable PC plastic lens.
- Terminal: WAGO 260-207.

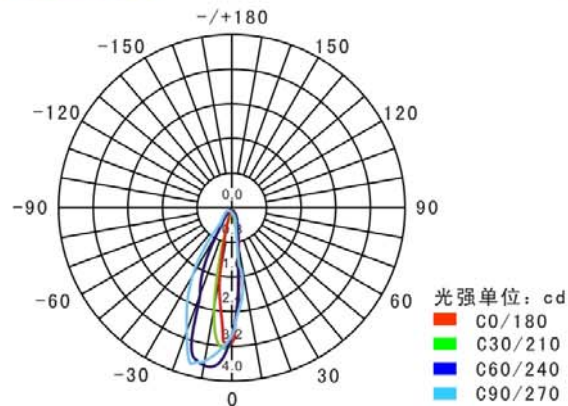
外形尺寸



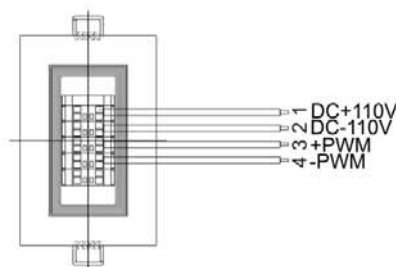
开孔尺寸



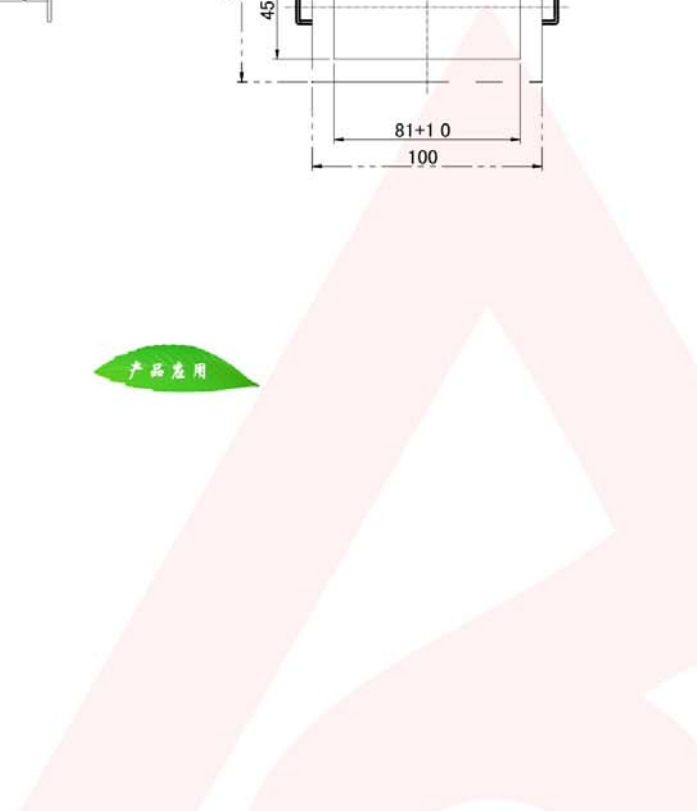
配光曲线



接线图



产品应用



大功率LED射灯 V 型



High Power LED  
Spotlight Type V

材质说明

- 1、灯体采用铝合金材质,
- 2、表面处理银灰色烤漆,
- 3、透镜采用阻燃PC塑料.
- 接线端子: 000.

Materials:

- 1. Alloy aluminum LED light body.
- 2. Silver coating finish.
- 3. Non-flammable PC plastic lens.
- Terminal: WAGO 000.

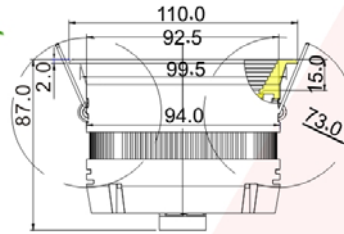
配光曲线

接线图

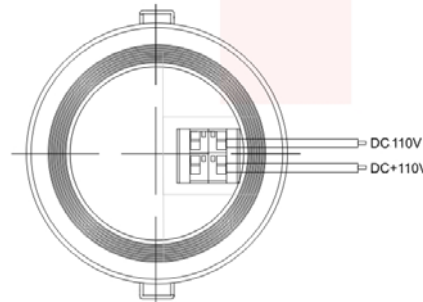
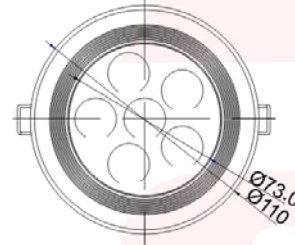
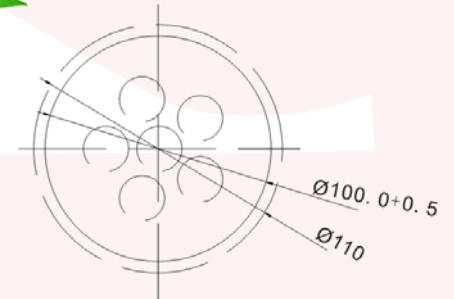
产品应用

产品编号 Product No.	型号 Type	颜色 Color	额定功率 Rating power	输入电压 Input voltage	色温 Color temperature	环境温度 ambient temperature	重量 weight	防护等级 protection grade
C02010200003	SHSD03-12	银灰色	≤6.5W	DC110V	00K	-25℃~40℃	g	Ip

外形尺寸



开孔尺寸



<http://www.hzy2000.com>

3

TEL:+86-0755-26018102



大功率LED射灯IY型



High Power LED  
Spotlight Type IY

产品编号 Product No.	型号 Type	颜色 Color	额定功率 Rating power	输入电压 Input voltage	色温 Color temperature	环境温度 ambient temperature	重量 weight	防护等级 protection grade
C02010200004	SHSD103-39	银灰色	≤7W	DC24V	5600K-6300K	-25℃~40℃	171.4g	Ip54

外形尺寸

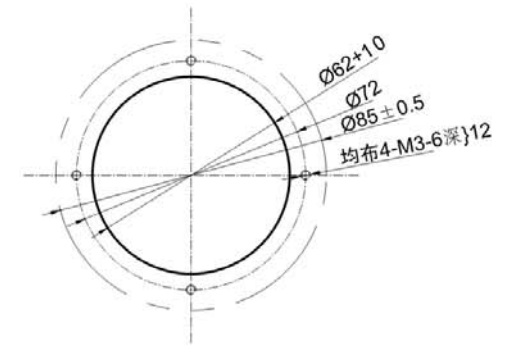
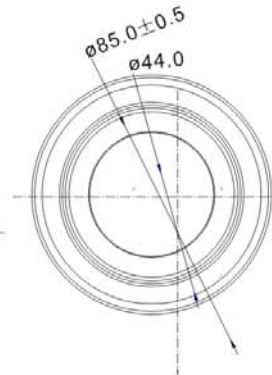
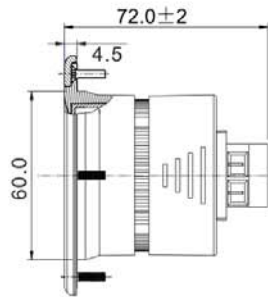
开孔尺寸

材质说明

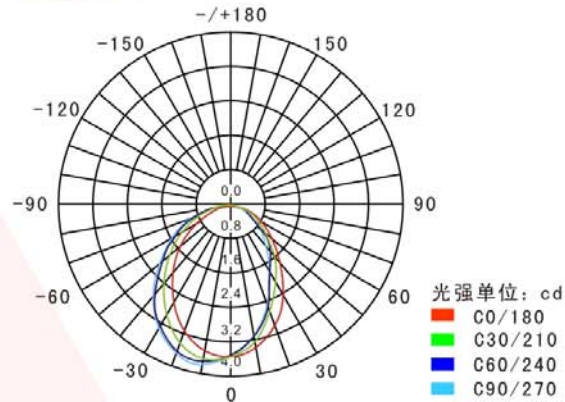
- 1、灯体采用铝合金材质,
- 2、表面处理银灰色烤漆,
- 3、透镜采用阻燃PC塑料.
- 接线端子: 734-103/037-000、734-303.

Materials:

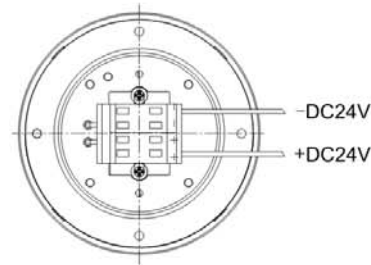
- 1. Alloy aluminum LED light body.
- 2. Silver coating finish.
- 3. Non-flammable PC plastic lens.
- Terminal: WAGO 734-103/037-000、734-303.



配光曲线



接线图



产品应用

司机室射灯



## Cab Spotlight

### 材质说明

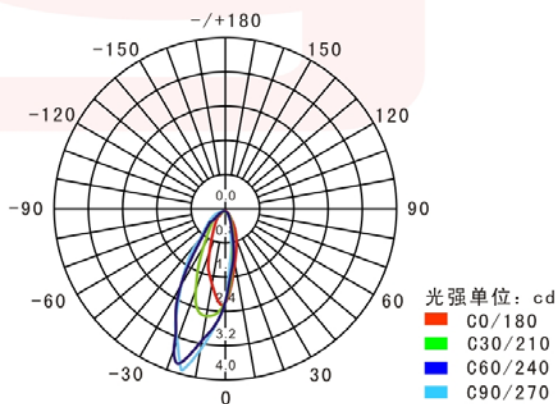
- 1、灯体采用铝合金材质,
- 2、表面处理银灰色烤漆,
- 3、透镜采用阻燃PC塑料.

- 接线端子:000.

### Materials:

- 1. Alloy aluminum light body.
- 2. Silver coating finish.
- 3. Non-flammable PC plastic lens.
- Terminal:WAGO 000.

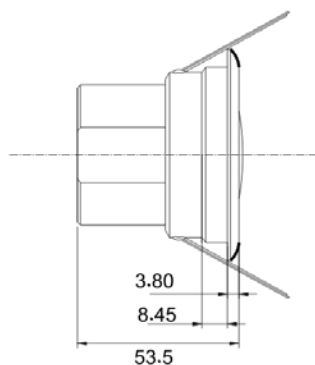
配光曲线



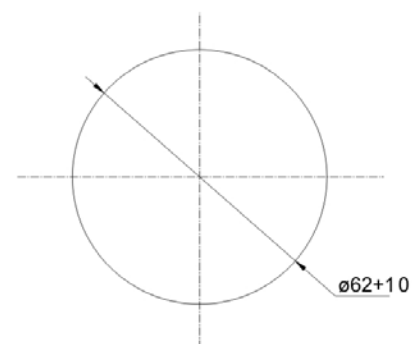
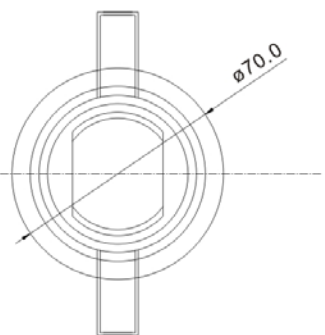
C90/270

产品编号 Product No.	型号 Type	颜色 Color	额定功率 Rating power	输入电压 Input voltage	色温 Color temperature	环境温度 ambient temperature	重量 weight	防护等级 protection grade
C02010700103	SHSD04-02	银灰色	≤50W	DC110V	5600~6300K	-25℃~40℃	215.3g	Ip

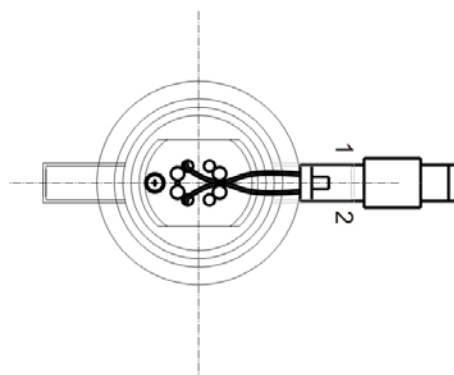
外形尺寸



开孔尺寸



接线图



产品应用

E-mail:hzy.ltd@hzy2000.com

4

http://www.hzy2000.com



大功率LED射灯IL型



产品编号 Product No.	型号 Type	颜色 Color	额定功率 Rating power	输入电压 Input voltage	色温 Color temperature	环境温度 ambient temperature	重量 weight	防护等级 protection grade
C02010200007	SHSD03-28	银灰色	≤12W	DC24V	3800K-4200K	5℃~35℃	219.8g	Ip54

外形尺寸

开孔尺寸

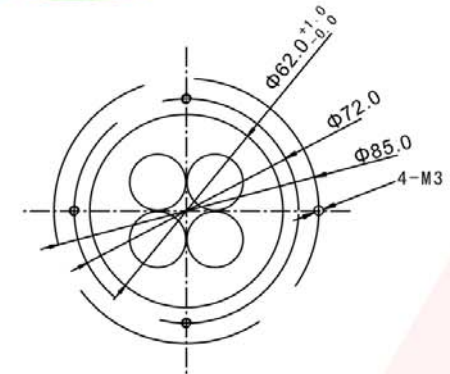
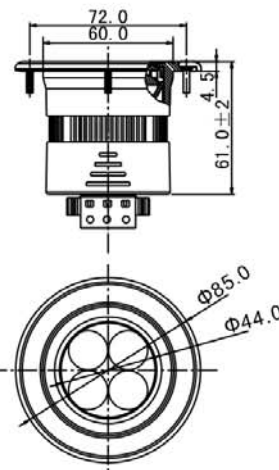
High Power LED  
Spotlight Type IL

材质说明

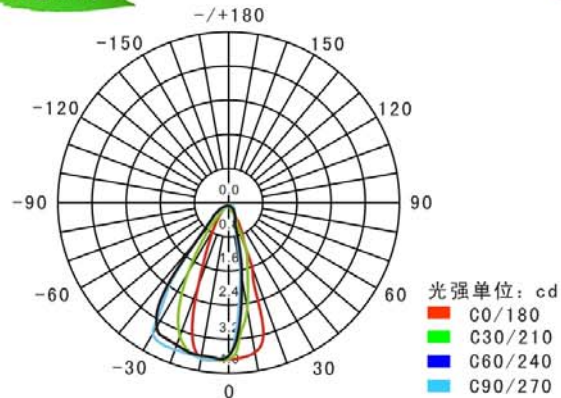
- 1、灯体采用铝合金材质,
- 2、表面处理银灰色烤漆,
- 3、透镜采用阻燃PC塑料.
- 接线端子: 734-103/037-000、734-303.

Materials:

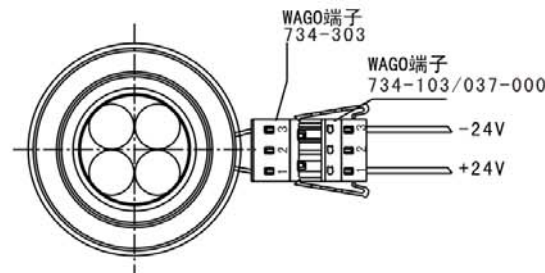
- 1. Alloy aluminum LED light body.
- 2. Silver coating finish.
- 3. Non-flammable PC plastic lens.
- Terminal: WAGO 734-103/037-000、734-303.



配光曲线



接线图



产品应用



### 大功率LED射灯IW型



产品编号 Product No.	型号 Type	颜色 Color	额定功率 Rating power	输入电压 Input voltage	色温 Color temperature	环境温度 ambient temperature	重量 weight	防护等级 protection grade
C02010600038	SHSD03-37	电镀	≤8W	DC100V	4300K-4700K	-25℃~40℃	290g	Ip54

外形尺寸

开孔尺寸

## High Power LED Spotlight Type IW

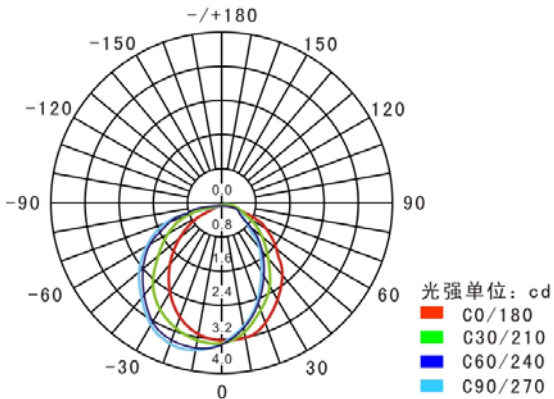
### 材质说明

- 1、灯体采用铝合金材质,
- 2、表面处理银灰色烤漆,
- 3、透镜采用阻燃PC塑料.
- 接线端子: 721-606 721 /008-000.

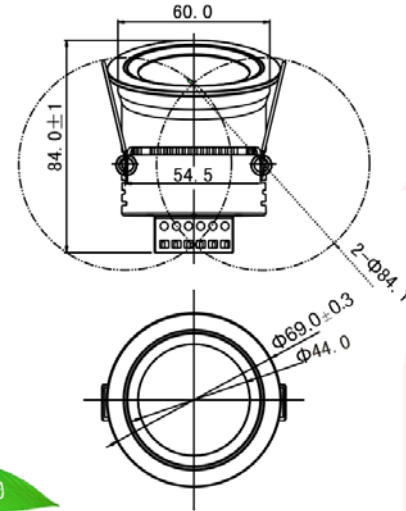
### Materials:

- 1. Alloy aluminum LED light body.
- 2. Silver coating finish.
- 3. Non-flammable PC plastic lens.
- Terminal: WAGO 721-606 721 /008-000.

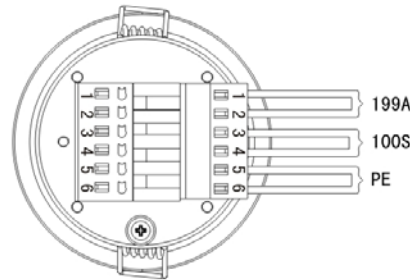
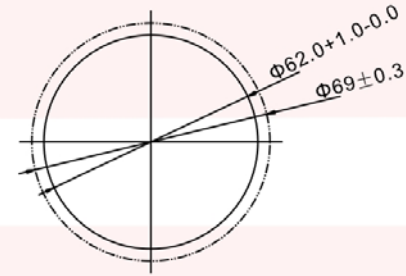
配光曲线



接线图



产品应用



<http://www.hzy2000.com>

1

TEL:+86-0755-26018102



餐车射灯



产品编号 Product No.	型号 Type	颜色 Color	额定功率 Rating power	输入电压 Input voltage	色温 Color temperature	环境温度 ambient temperature	重量 weight	防护等级 protection grade
C02010700059	SHSD03-04	银灰色	≤6W	DC110V	3300~3500K	25℃~40℃	194g	Ip54

材质说明

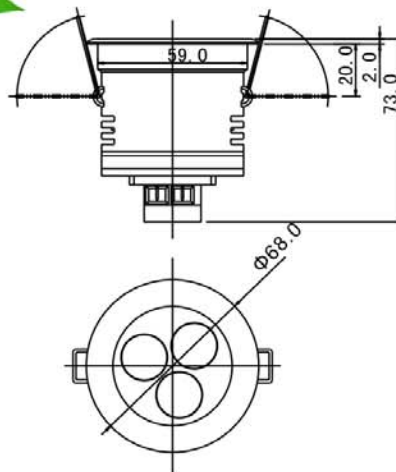
- 1、灯体采用铝合金材质,
- 2、表面处理银灰色烤漆,
- 3、透镜采用阻燃PC塑料.
- 接线端子: 261-202.

Materials:

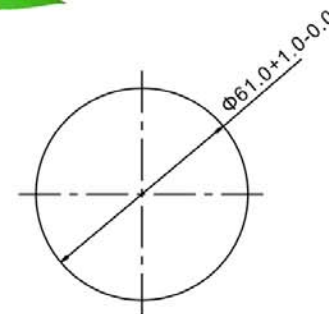
- 1. Alloy aluminum LED light body.
- 2. Silver coating finish.
- 3. Non-flammable PC plastic lens.
- Terminal: WAGO 261-202.

Dining Car Spotlight

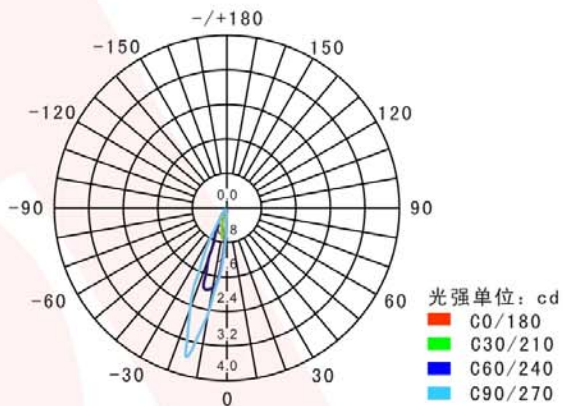
外形尺寸



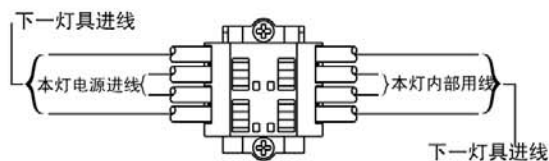
开孔尺寸



配光曲线



接线图



产品应用



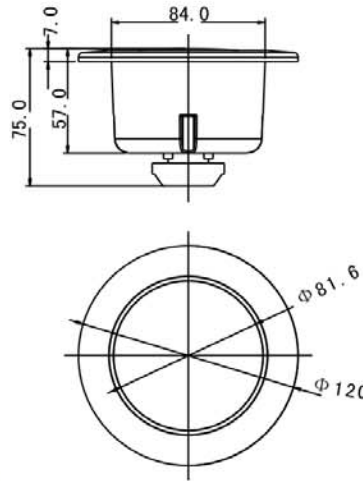
大筒灯



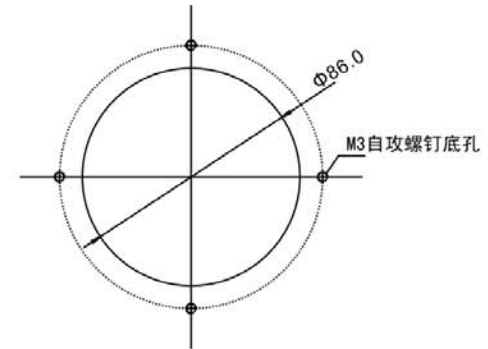
## Large Downlight

产品编号 Product No.	型号 Type	颜色 Color	额定功率 Rating power	输入电压 Input voltage	色温 Color temperature	环境温度 ambient temperature	重量 weight	防护等级 protection grade
C02010700016	SHSD03-03	银灰色	≤6W	DC48V/DC110V	6000K~7000K	25℃~40℃	210g	Ip54

外形尺寸



开孔尺寸



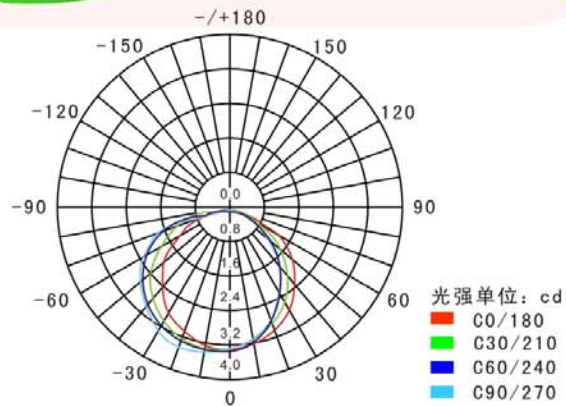
### 材质说明

- 1、灯体采用阻燃塑胶ABS,
- 2、透镜采用阻燃PC塑料.
- 接线端子:000.

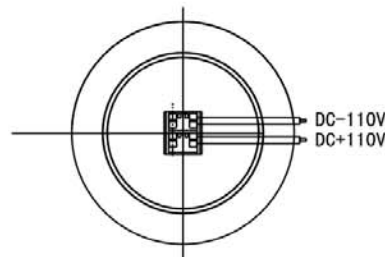
### Materials:

- 1.ABS plastic LED light body.
- 2.Non-flammable PC plastic lens.
- Terminal:WAGO 000.

配光曲线



接线图



产品应用



E-mail:hzy.ltd@hzy2000.com

2

<http://www.hzy2000.com>



### 3. LED Glimmer Lights



包间睡眠灯I型



产品编号 Product No.	型号 Type	颜色 Color	额定功率 Rating power	输入电压 Input voltage	色温 Color temperature	环境温度 ambient temperature	重量 weight	防护等级 protection grade
C03060700003	SHWG06-02	银白	≤1W	DC110V		-40℃~40℃	104.9g	Ip54

外形尺寸

开孔尺寸

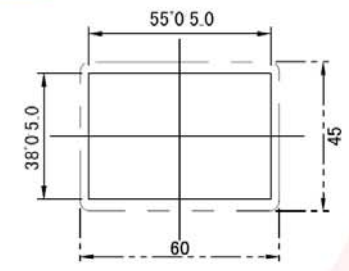
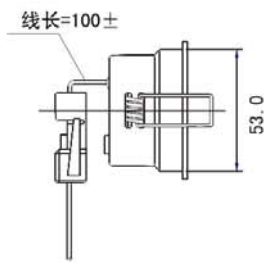
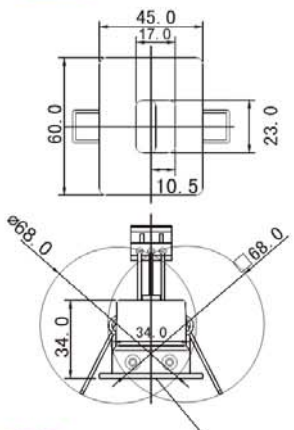
### Chassis Sleep Light Type I

#### 材质说明

- 1. 灯体采用阻燃ABS塑料,
- 2. 灯罩采用阻燃PC塑料.
- 接线端子: 万可734-303、734-103 /037-000.

#### Materials:

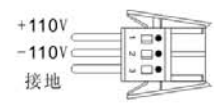
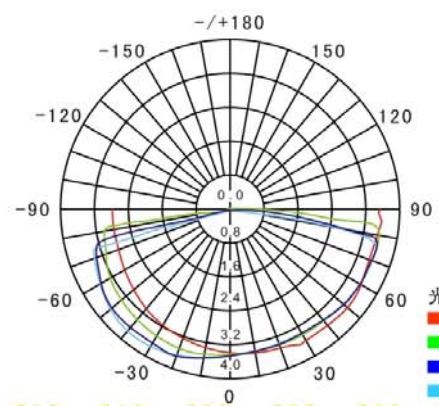
- 1. Non-flammable ABS plastic LED light body.
- 2. Non-flammable PC plastic lampshade.
- Terminal: WAGO 734-303、734-103 /037-000.



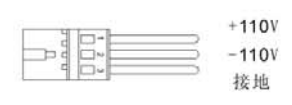
配光曲线

接线图

产品应用



产品配送端子  
734-103/037-000



产品用端子  
734-303

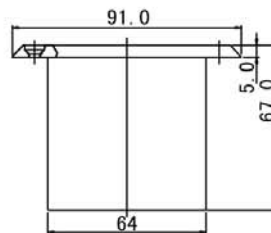
# Foot Light

地脚灯

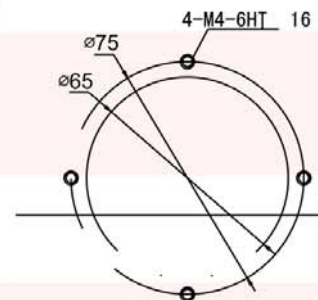


产品编号 Product No.	型号 Type	颜色 Color	额定功率 Rating power	输入电压 Input voltage	色温 Color temperature	环境温度 ambient temperature	重量 weight	防护等级 protection grade
C03010400003	LED-04C	不锈钢	≤5W	DC48V	4500~5000K	-40℃~55℃	866.3g	Ip65

外形尺寸



开孔尺寸



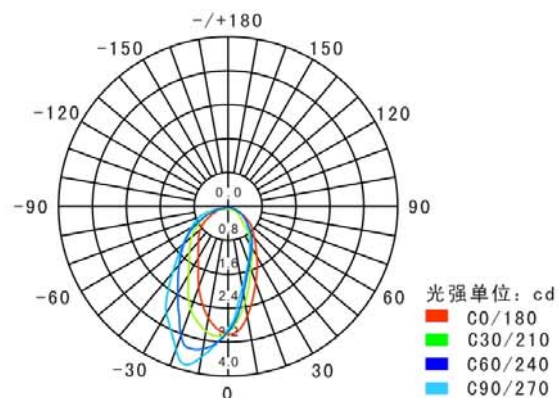
## 材质说明

- 1. 灯体采用铝合金材质,
- 2. 表面镀铬处理,
- 3. 透镜采用阻燃PC塑料.
- 接线端子: 万可261-202.

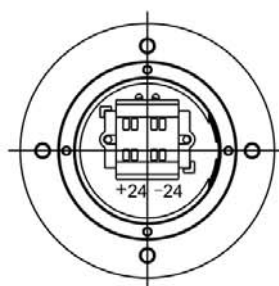
## Materials:

- 1. Alloy aluminum LED light body.
- 2. Chromium plated finish.
- 3. Non-flammable PC plastic lens.
- Terminal :WAGO 261-202.

配光曲线



接线图



产品应用



<http://www.hzy2000.com>

1

TEL:+86-0755-26018102



脚蹬灯



产品编号 Product No.	型号 Type	颜色 Color	额定功率 Rating power	输入电压 Input voltage	色温 Color temperature	环境温度 ambient temperature	重量 weight	防护等级 protection grade
C03990700038	SHWG01-04	不锈钢	≤5W	DC110V	4500~5000K	-40℃~55℃	569g	Ip65

外形尺寸

开孔尺寸

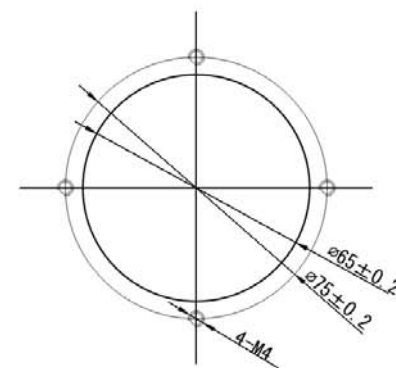
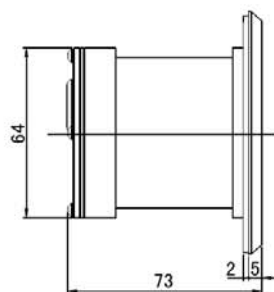
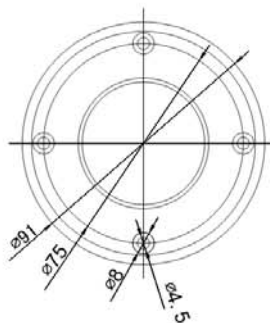
## Pedal Light

### 材质说明

- 1. 灯体采用铝合金材质,
- 2. 表面镀铬处理,
- 3. 透镜采用阻燃PC塑料.
- 接线端子: 万可261-202.

### Materials:

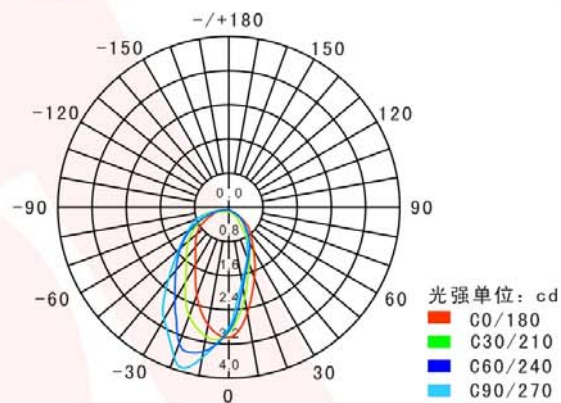
- 1. Alloy aluminum LED light body.
- 2. Chromium plated finish.
- 3. Non-flammable PC plastic lens.
- Terminal :WAGO 261-202.



配光曲线

接线图

产品应用



## 睡眠灯II型



产品编号 Product No.	型号 Type	颜色 Color	额定功率 Rating power	输入电压 Input voltage	色温 Color temperature	环境温度 ambient temperature	重量 weight	防护等级 protection grade
C03050200002	SHWG05-02	RAL9010	≤7W	DC24V	4800~5500K	-25℃~65℃	179.6g	Ip54

外形尺寸

开孔尺寸

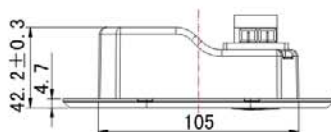
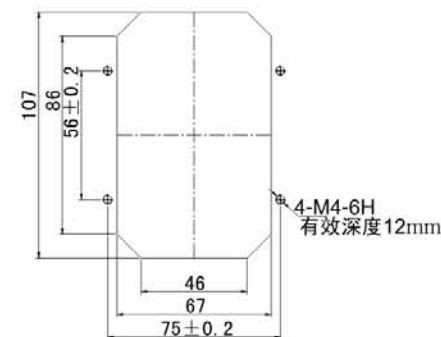
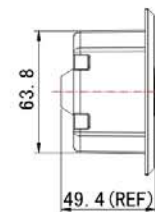
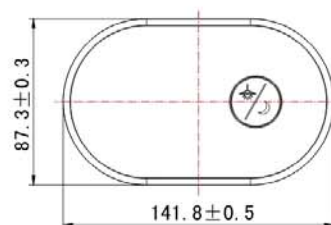
## Sleep Light Type II

### 材质说明

- 1. 灯体采用阻燃ABS塑料.
- 2. 灯罩采用阻燃PC塑料.
- 接线端子: 万可262-206.

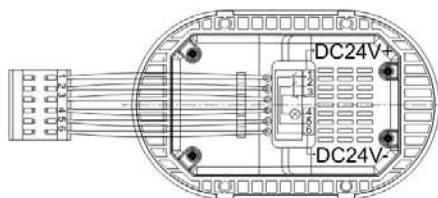
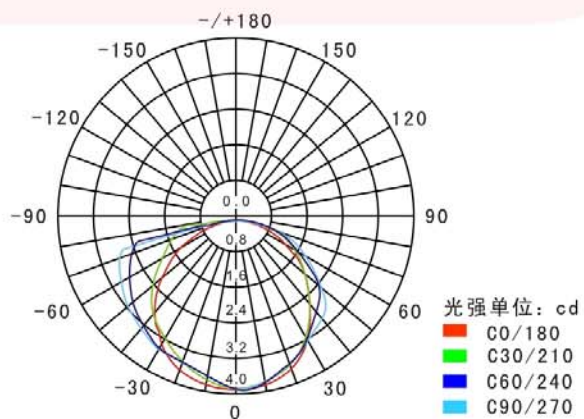
### Materials:

- 1. Non-flammable ABS plastic LED light body.
- 2. Non-flammable PC plastic lampshade.
- Terminal: WAGO 262-206.



配光曲线

接线图



E-mail: [hzy.ltd@hzy2000.com](mailto:hzy.ltd@hzy2000.com)

2

<http://www.hzy2000.com>



台阶灯



## Step Light

### 材质说明

- 1. 灯体采用阻燃ABS塑料,
- 2. 灯罩采用阻燃PC塑料.
- 接线端子: 万可261-202.

### Materials:

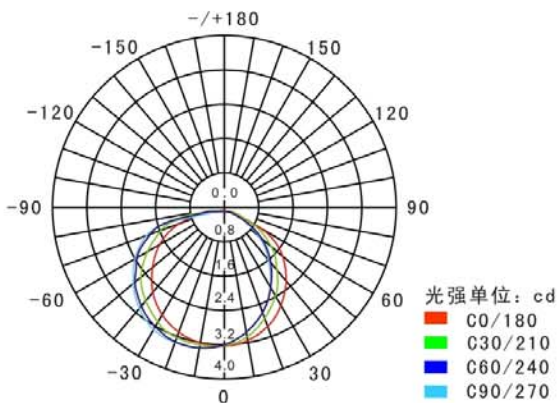
- 1. Non-flammable ABS plastic LED light body.
- 2. Non-flammable PC plastic lampshade.
- Terminal: WAGO 261-202.

产品编号 Product No.	型号 Type	颜色 Color	额定功率 Rating power	输入电压 Input voltage	色温 Color temperature	环境温度 ambient temperature	重量 weight	防护等级 protection grade
C03040400003	LED-10A	银灰色	≤1W	DC48V/220V	2800~3200K	-25℃~70℃	73.2g	Ip54

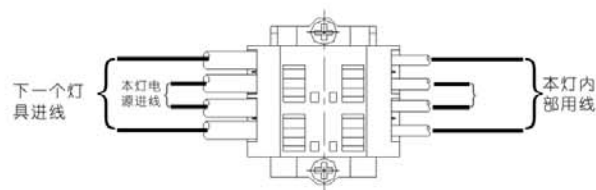
外形尺寸

开孔尺寸

配光曲线



接线图



产品应用



行李架装饰灯



产品编号 Product No.	型号 Type	颜色 Color	额定功率 Rating power	输入电压 Input voltage	色温 Color temperature	环境温度 ambient temperature	重量 weight	防护等级 protection grade
C03090400008	SHWG07-01	白色	≤7W	DC48V	5700-5900k	-15℃-65℃	1069g	Ip54

## Luggage Rack Decorative Light

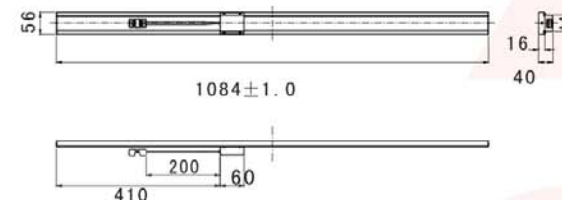
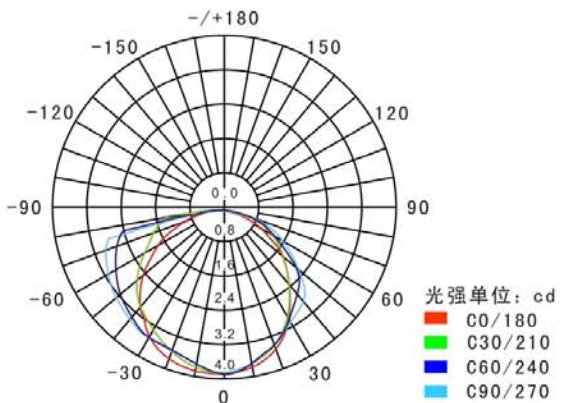
### 材质说明

- 1. 灯体采用阻燃橡胶.
- 2. 端盖采用阻燃PC塑料.
- 接线端子: 万可261-202.

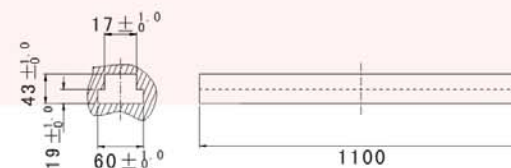
### Materials:

- 1. Non-flammable rubbers LED light body.
- 2. Non-flammable PC plastic covers.
- Terminal: WAGO 261-202.

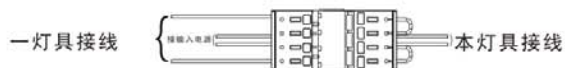
配光曲线



开孔尺寸



接线图



产品应用



<http://www.hzy2000.com>

3

TEL:+86-0755-26018102



装饰灯IB型



产品编号 Product No.	型号 Type	颜色 Color	额定功率 Rating power	输入电压 Input voltage	色温 Color temperature	环境温度 ambient temperature	重量 weight	防护等级 protection grade
C03990700038	SHWG507-12	银灰色	≤15W	DC110V	4300K~4700K	-25℃~65℃	1005g	Ip54

## Decorative Light Type IB

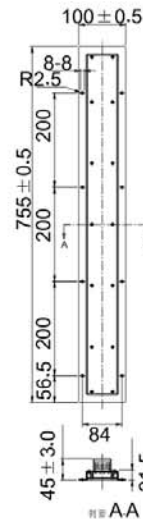
### 材质说明

- 1. 灯体采用阻燃ABS塑料,
- 2. 灯罩采用阻燃PC塑料.
- 接线端子: 万可721-103/037-000  
721-603/019-000, 770-203, 770-213.

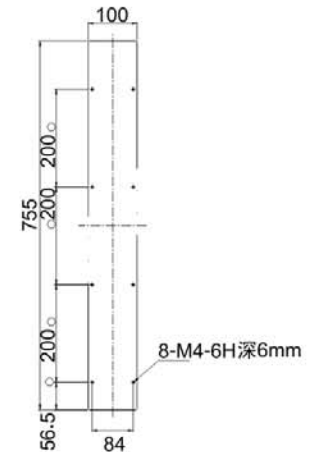
### Materials:

- 1. Non-flammable ABS plastic LED light body.
- 2. Non-flammable PC plastic lampshade.
- Terminal: WAGO 721-103/037-000  
721-603/019-000, 770-203, 770-213.

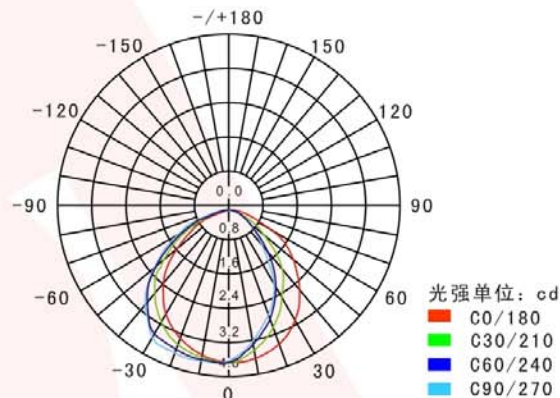
外形尺寸



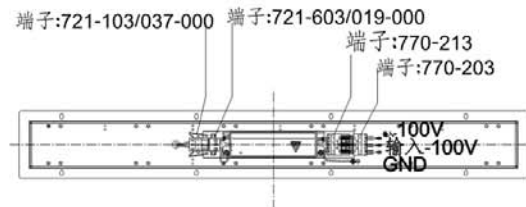
开孔尺寸



配光曲线



接线图



产品应用

装饰灯IC型



产品编号 Product No.	型号 Type	颜色 Color	额定功率 Rating power	输入电压 Input voltage	色温 Color temperature	环境温度 ambient temperature	重量 weight	防护等级 protection grade
C03090600012	SHWG307-13	亮银色	≤11W	DC110V	4300K-4700K	-25℃~40℃		Ip54

外形尺寸

开孔尺寸

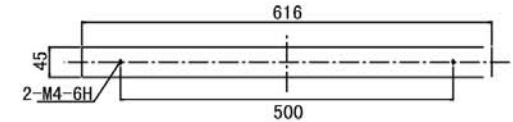
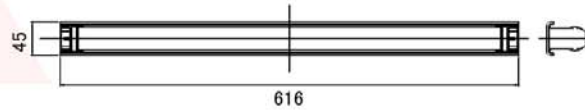
## Decorative Light Type IC

### 材质说明

- 1. 灯体采用阻燃ABS塑料,
- 2. 灯罩采用阻燃PC塑料.
- 接线端子: 万可721-603、721-103/037-000.

### Materials:

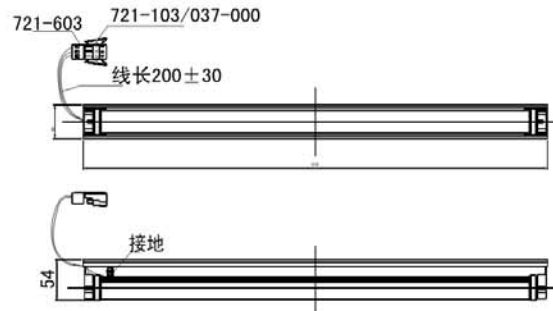
- 1. Non-flammable ABS plastic LED light body.
- 2. Non-flammable PC plastic lampshade.
- Terminal: WAGO721-603、721-103/037-000



配光曲线

接线图

产品应用



E-mail: [hzy.ltd@hzy2000.com](mailto:hzy.ltd@hzy2000.com)

4

<http://www.hzy2000.com>



装饰灯 IF 型



产品编号 Product No.	型号 Type	颜色 Color	额定功率 Rating power	输入电压 Input voltage	色温 Color temperature	环境温度 ambient temperature	重量 weight	防护等级 protection grade
C03090600019	SHWG307-16	RAL9016	≤20W	DC100V	4300K~4700K	-25℃~40℃		Ip54

## Decorative Light Type IF

### 材质说明

- 1. 灯体采用阻燃ABS塑料.
- 2. 灯罩采用阻燃PC塑料.
- 接线端子: 万可261-202, 261-103.

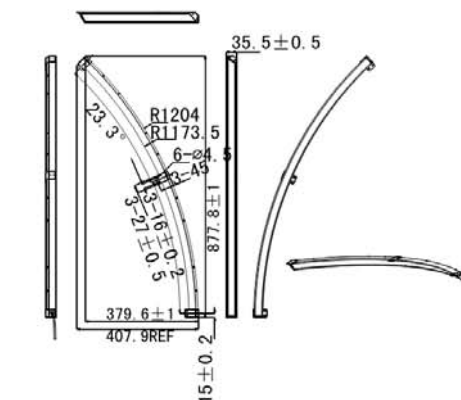
### Materials:

- 1. Non-flammable ABS plastic LED light body.
- 2. Non-flammable PC plastic lampshade.
- Terminal: WAGO 261-202, 261-103.

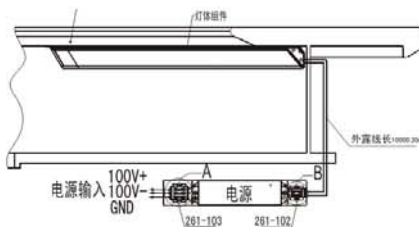
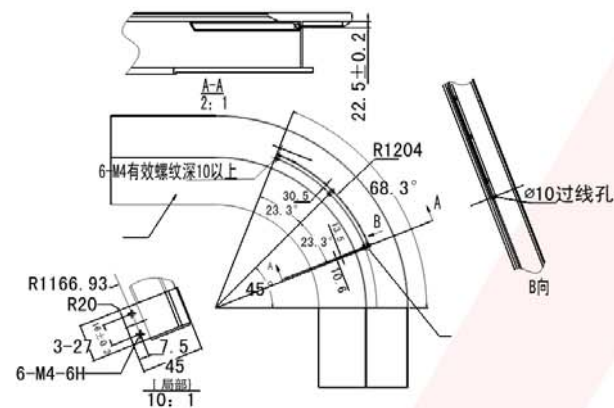
配光曲线

接线图

产品应用



开孔尺寸



装饰灯V型



产品编号 Product No.	型号 Type	颜色 Color	额定功率 Rating power	输入电压 Input voltage	色温 Color temperature	环境温度 ambient temperature	重量 weight	防护等级 protection grade
C03090700026	SHWG07-05	亮银色+乳白色	≤5.5W	DC110V	3500~3800K	-15℃~65℃		Ip54

外形尺寸

配光曲线

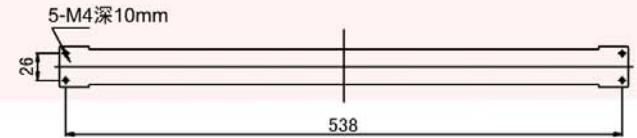
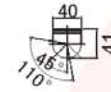
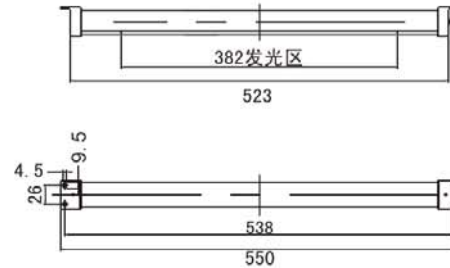
## Decorative Light Type V

### 材质说明

- 1. 灯体采用铝合金材质.
- 2. 灯罩采用阻燃PC塑料.
- 接线端子: 万可721-606/019-000  
721-106/037-000.

### Materials:

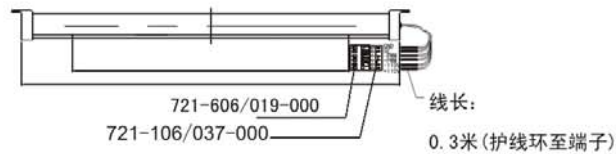
- 1. Alloy aluminum LED light body.
- 2. Non-flammable PC plastic lampshade.
- Terminal: WAGO 721-606/019-000  
721-106/037-000.



开孔尺寸

接线图

产品应用





装饰灯VI型



产品编号 Product No.	型号 Type	颜色 Color	额定功率 Rating power	输入电压 Input voltage	色温 Color temperature	环境温度 ambient temperature	重量 weight	防护等级 protection grade
C03090700027	SHWG07-06	亮银色+乳白色	≤5.5W	DC110V	4490~4710	-15℃~65℃	435.7g	Ip54

## Decorative Light Type VI

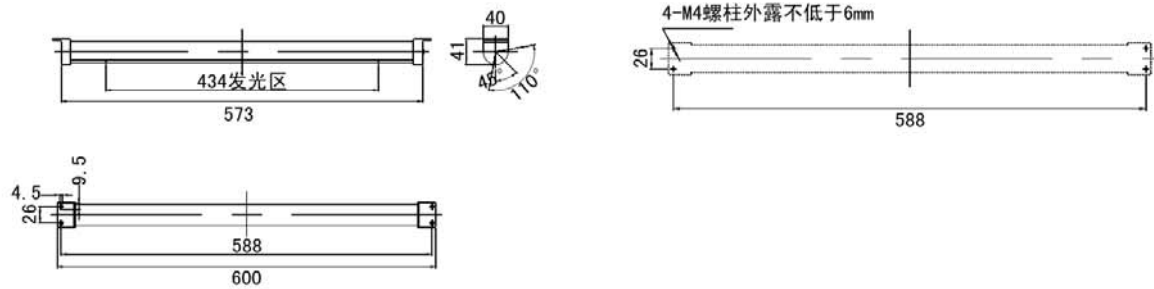
### 材质说明

- 1. 灯体采用铝合金材质,
- 2. 灯罩采用阻燃PC塑料.
- 接线端子: 万可721-606/019-000  
721-106/037-000.

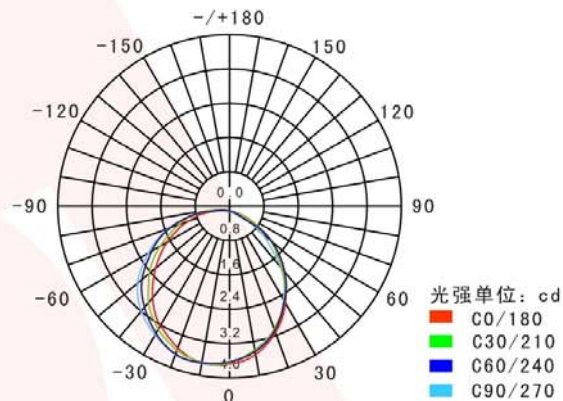
### Materials:

- 1. Alloy aluminum LED light body.
- 2. Non-flammable PC plastic lampshade.
- Terminal: WAGO 721-606/019-000  
721-106/037-000.

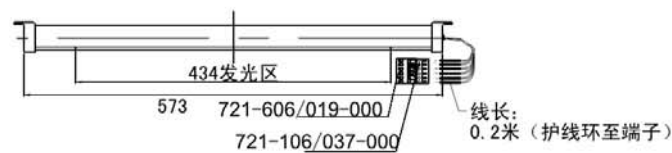
开孔尺寸



配光曲线



接线图



产品应用

铺号地灯



产品编号 Product No.	型号 Type	颜色 Color	额定功率 Rating power	输入电压 Input voltage	色温 Color temperature	环境温度 ambient temperature	重量 weight	防护等级 protection grade
C03030900008	XKT009-00-000	灰色	≤1W	DC48V/110V	4300K~4700K	-40℃~60℃	120.5g	Ip54

外形尺寸

开孔尺寸

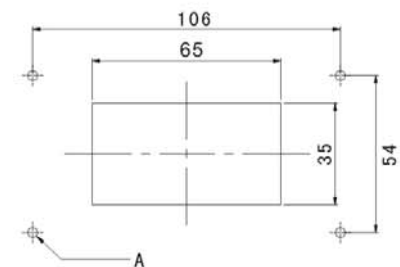
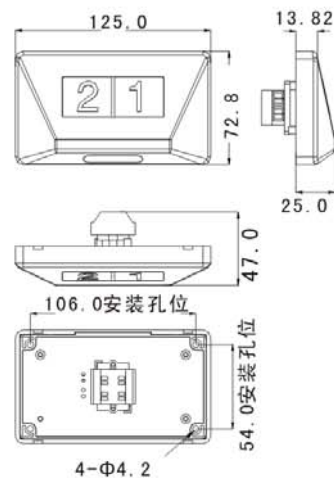
## Shop No./Ground Light

### 材质说明

- 1. 灯体采用阻燃ABS塑料.
- 2. 灯罩采用阻燃PC塑料.
- 接线端子: 万可261-202.

### Materials:

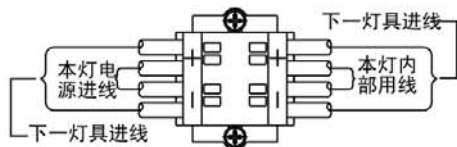
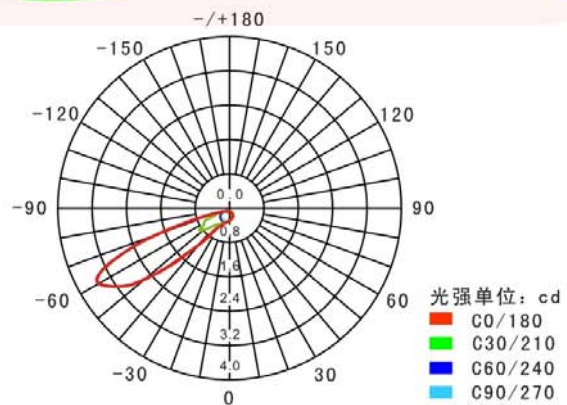
- 1. Non-flammable ABS plastic LED light body.
- 2. Non-flammable PC plastic lampshade.
- Terminal: WAGO 261-202.



配光曲线

接线图

产品应用



E-mail: hzy.ltd@hzy2000.com

2

<http://www.hzy2000.com>



## 4. LED Signal Lights



车侧灯V型



## Side Lights Type V

### 材质说明

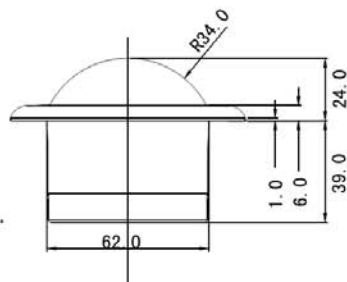
- 1. 灯体采用阻燃ABS材质.
- 2. 灯罩采用阻燃PC, 表面处理银灰色烤漆.
- 接线端子: 万可734-102/037-000 734-302.

### Materials:

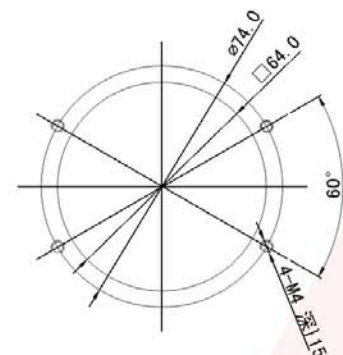
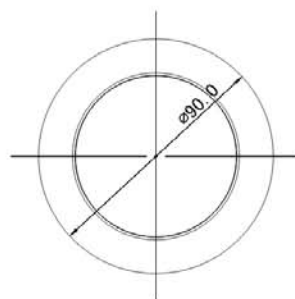
- 1. Non-flammable ABS plastic LED light body.
- 2. Non-flammable PC plastic lampshade. Silver coating finish.
- Terminal: WAGO 734-102/037-000 734-302.

产品编号 Product No.	型号 Type	颜色 Color	额定功率 Rating power	输入电压 Input voltage	色温 Color temperature	环境温度 ambient temperature	重量 weight	防护等级 protection grade
C04030700017	SHXH03-05	红色	≤2.5W	DC110V		-25℃~65℃	129g	Ip54

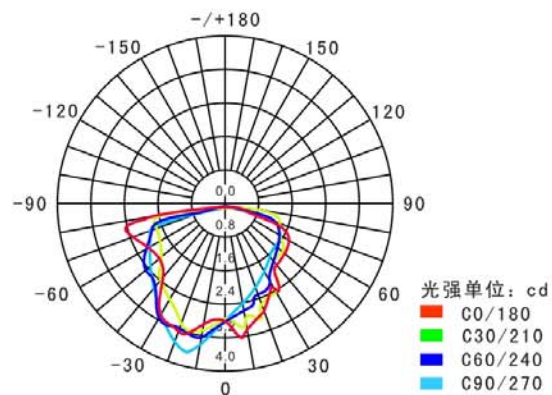
外形尺寸



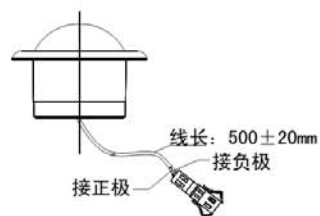
开孔尺寸



配光曲线



接线图



### 备注:

1. 接电源正极;
2. 接电源负极;
3. 灯具额定电压范围: DC110V (DC77.5~137.5V).

产品应用



# Door Indicator

车门指示灯



产品编号 Product No.	型号 Type	颜色 Color	额定功率 Rating power	输入电压 Input voltage	色温 Color temperature	环境温度 ambient temperature	重量 weight	防护等级 protection grade
C04030700070	SHD06-05	红/橙色	≤1W	DC110V		-20℃~65℃	52.4g	Ip54

外形尺寸

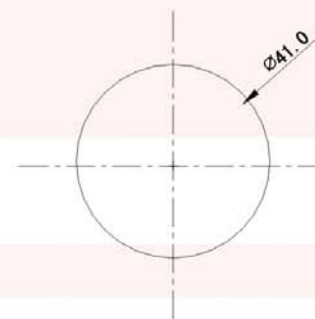
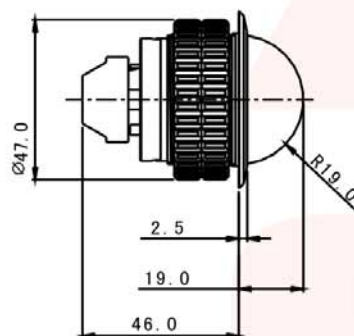
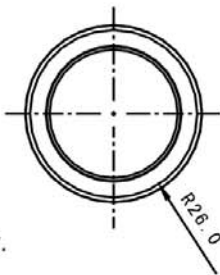
开孔尺寸

## 材质说明

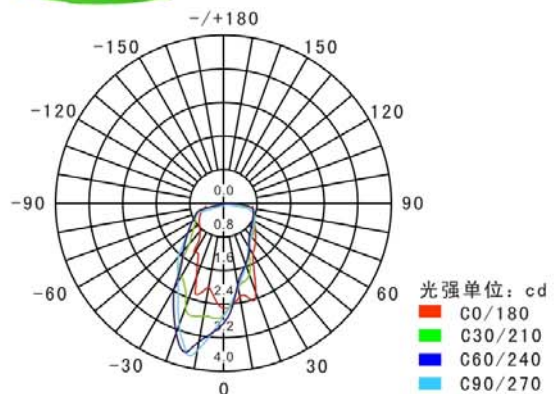
- 1. 灯体采用阻燃ABS材质,
- 2. 灯罩采用阻燃PC,
- 3. 表面处理银灰色烤漆,
- 接线端子: 万可734-302, 734-102 /037-000.

## Materials:

- 1.Non-flammable ABS plastic LED light body.
- 2.Non-flammable PC plastic lampshade.
- 3.Silver coating finish.
- Terminal:WAGO 734-302, 734-102 /037-000.



配光曲线



接线图

产品应用



<http://www.hzy2000.com>

1

TEL:+86-0755-26018102



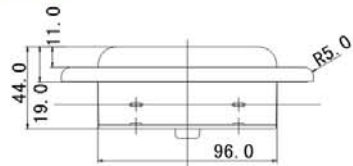
车外运行指示灯III型



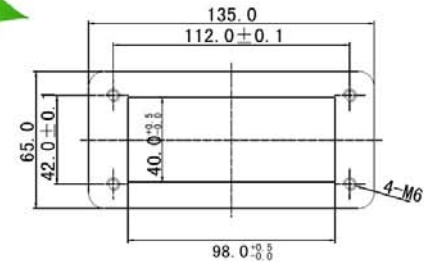
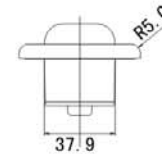
产品编号 Product No.	型号 Type	颜色 Color	额定功率 Rating power	输入电压 Input voltage	色温 Color temperature	环境温度 ambient temperature	重量 weight	防护等级 protection grade
C04030700032	SHXH04-07	红色	≤3W	DC110V		-25℃~45℃	129.6g	Ip54

Outside Running Light Type III

外形尺寸



开孔尺寸

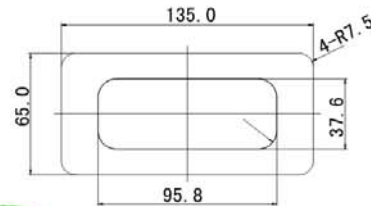


材质说明

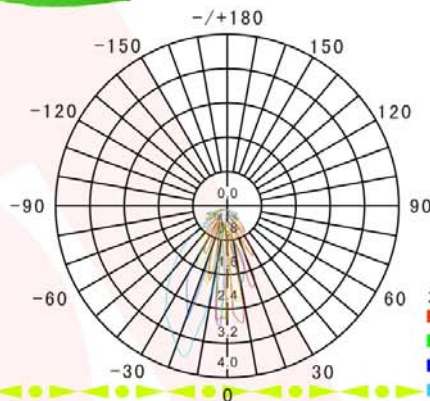
- 1. 灯体采用阻燃ABS材质.
- 2. 灯罩采用阻燃PC.
- 接线端子: 万可769-411/769-431/769-102.

Materials:

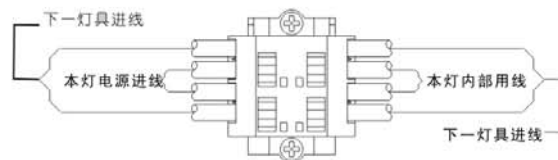
- 1.Non-flammable ABS plastic LED light body.
- 2.Non-flammable PC plastic lampshade.
- Terminal:WAGO 769-411/769-431/769-102.



配光曲线



接线图



产品应用

- 光强单位: cd
- C0/180
  - C30/210
  - C60/240
  - C90/270

列车尾灯



## Train Tail Light

### 材质说明

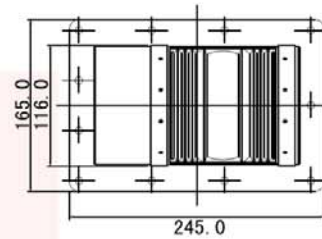
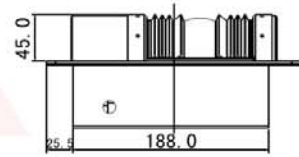
- 1. 灯体采用阻燃PC材质,
- 2. 表面处理银灰色烤漆,
- 3. 灯罩采用钢化玻璃材料,
- 接线端子: 万可261-202.

### Materials:

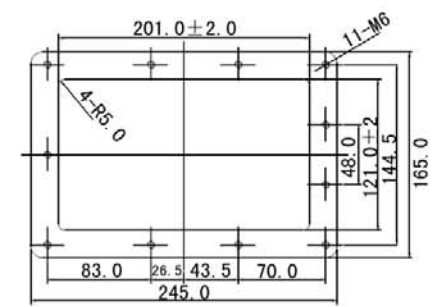
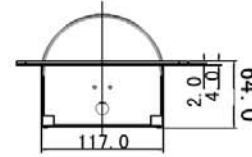
- 1. Non-flammable PC plastic LED light body.
- 2. Silver coating finish.
- 3. Tempering glass lampshade.
- Terminal: WAGO 261-202.

产品编号 Product No.	型号 Type	颜色 Color	额定功率 Rating power	输入电压 Input voltage	色温 Color temperature	环境温度 ambient temperature	重量 weight	防护等级 protection grade
C04030400014	SHD06-06	中绿色/银灰色	≤25W	DC48V			1613.9g	Ip54

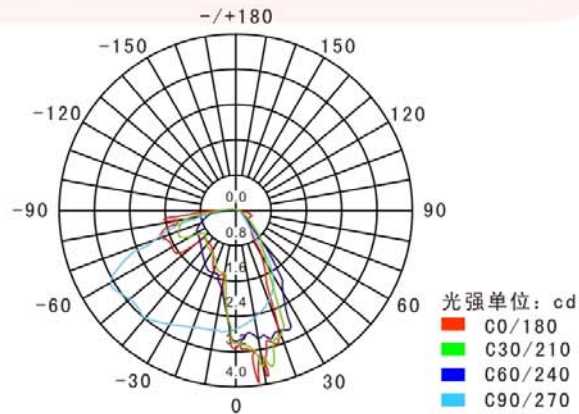
外形尺寸



开孔尺寸



配光曲线



接线图

产品应用



E-mail: [hzy.ltd@hzy2000.com](mailto:hzy.ltd@hzy2000.com)

<http://www.hzy2000.com>



Head Light 头灯IV型



产品编号 Product No.	型号 Type	颜色 Color	额定功率 Rating power	输入电压 Input voltage	色温 Color temperature	环境温度 ambient temperature	重量 weight	防护等级 protection grade
C04040200004	SHXH409-04	透明	≤45W	DC24V		-25℃~65℃		

外形尺寸

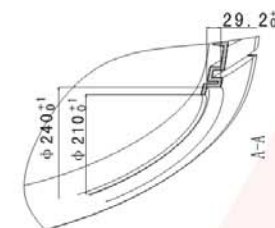
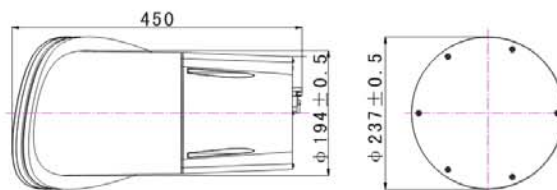
开孔尺寸

材质说明

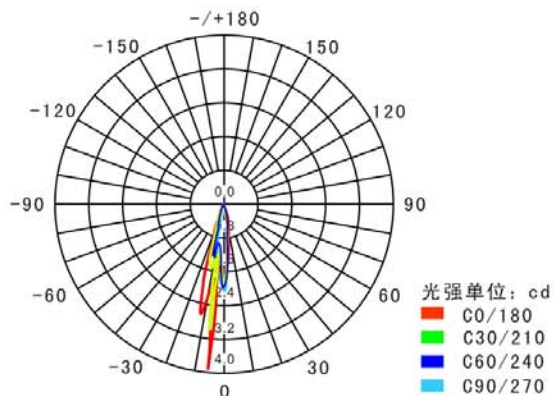
- 1. 灯体采用阻燃ABS塑料,
- 2. 透镜采用阻燃PC塑料,
- 接线端子: 万可000.

Materials:

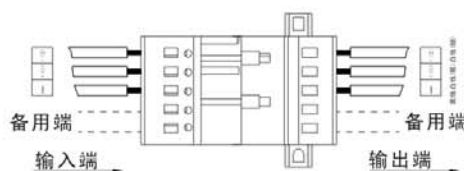
- 1. Non-flammable ABS plastic LED light body,
- 2. Non-flammable PC plastic lens.
- Terminal :WAGO 000.



配光曲线



接线图



产品应用



# Tail Signal Light

尾部信号灯



C90/270

产品编号 Product No.	型号 Type	颜色 Color	额定功率 Rating power	输入电压 Input voltage	色温 Color temperature	环境温度 ambient temperature	重量 weight	防护等级 protection grade
C04050700006	SHXH05-03	红色	≤5W	DC110V		-30℃~70℃	1308.4g	Ip54

外形尺寸

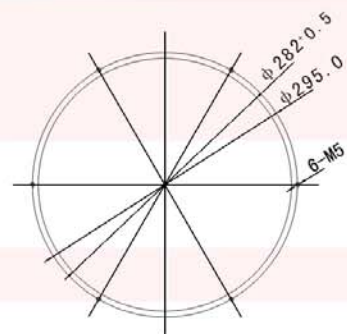
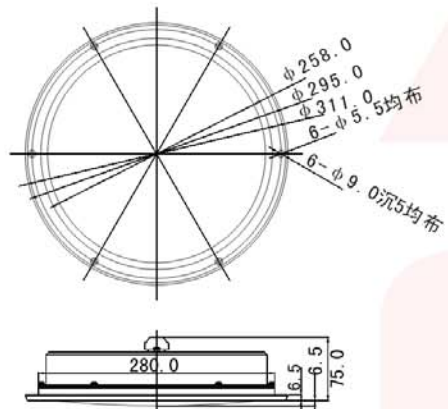
开孔尺寸

## 材质说明

- 1. 灯体采用中碳钢材,前灯体表面喷粉处理,后灯体镀铬处理,
- 2. 灯罩采用阻燃PC塑料,
- 接线端子: 万可261-202.

## Materials:

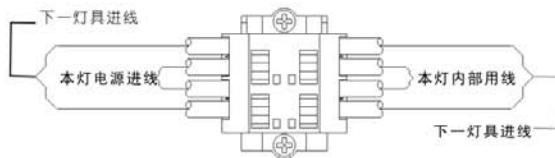
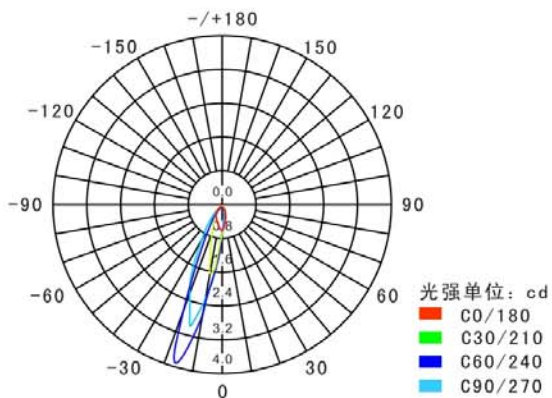
- 1. Steel LED light body ,Silver coating finish before light body,chromium plated after light body.
- 2.Non-flammable PC plastic lampshade.  
Terminal :WAGO 261-202.



配光曲线

接线图

产品应用



<http://www.hzy2000.com>

1

TEL:+86-0755-26018102



尾部信号灯II型



Tail Signal Light Type II

产品编号 Product No.	型号 Type	颜色 Color	额定功率 Rating power	输入电压 Input voltage	色温 Color temperature	环境温度 ambient temperature	重量 weight	防护等级 protection grade
C04050200003	SHXH05-04	红色	≤15W	DC24V		5℃~35℃		Ip54

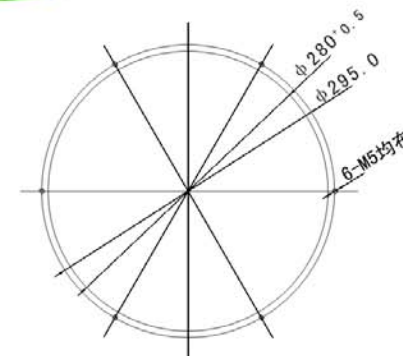
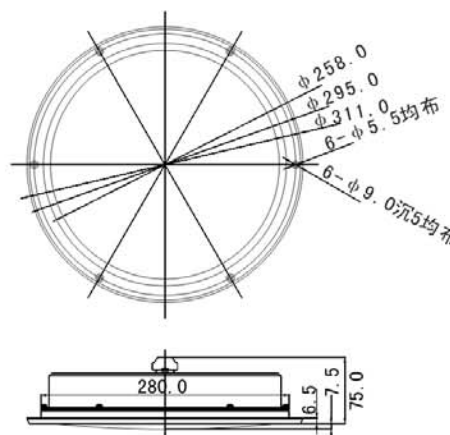
材质说明

- 1. 灯体采用中碳钢材,前灯体表面喷粉处理,后灯体镀铬处理.
- 2. 灯罩采用阻燃PC塑料.
- 接线端子: 万可261-202.

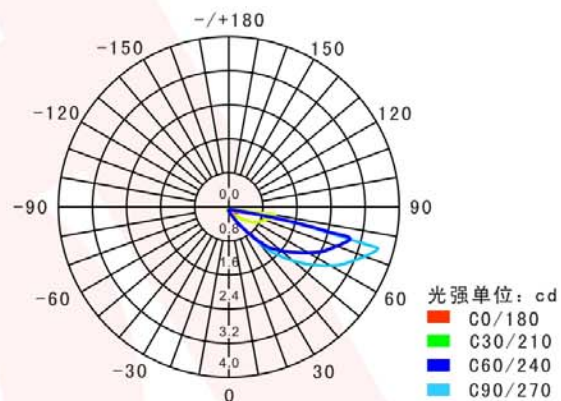
Materials:

- 1. Steel LED light body, Silver coating finish before light body, chromium plated after light body.
- 2. Non-flammable PC plastic lampshade. Terminal: WAGO 261-202.

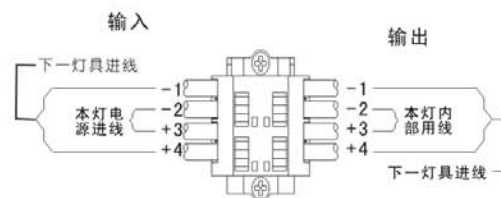
开孔尺寸



配光曲线



接线图

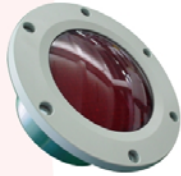


产品应用



# Tail Signal Light Type V

尾部信号灯V型



## 材质说明

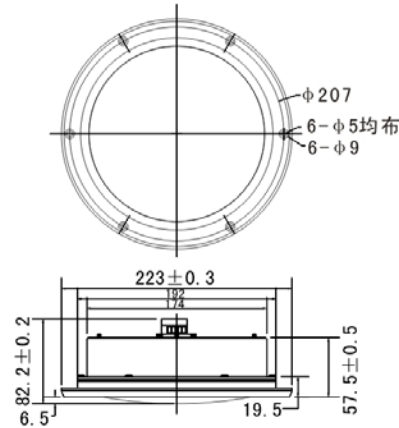
- 1. 灯体采用中碳钢材,前灯体表面喷粉处理,后灯体镀铬处理,
- 2. 灯罩采用阻燃PC塑料,
- 接线端子: 万可261-202.

## Materials:

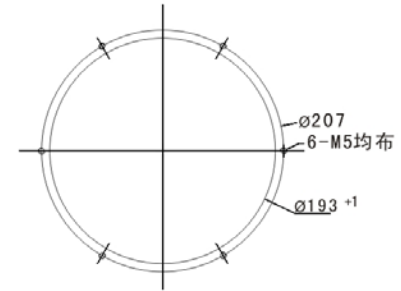
- 1. Steel LED light body ,Silver coating finish before light body,chromium plated after light body.
- 2.Non-flammable PC plastic lampshade. Terminal :WAGO 261-202.

产品编号 Product No.	型号 Type	颜色 Color	额定功率 Rating power	输入电压 Input voltage	色温 Color temperature	环境温度 ambient temperature	重量 weight	防护等级 protection grade
C04050200004	SHXH05-07	红色	≤5W	DC24V		5℃~35℃		

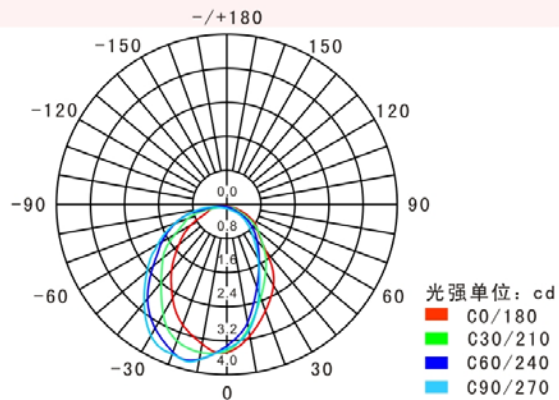
外形尺寸



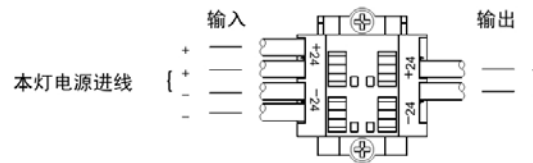
开孔尺寸



配光曲线



接线图



产品应用



E-mail: [hzy.ltd@hzy2000.com](mailto:hzy.ltd@hzy2000.com)

<http://www.hzy2000.com>

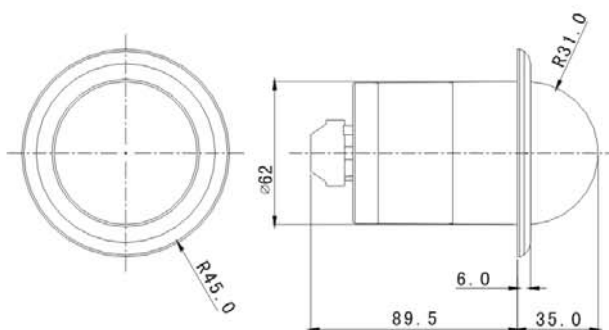


重庆车侧灯

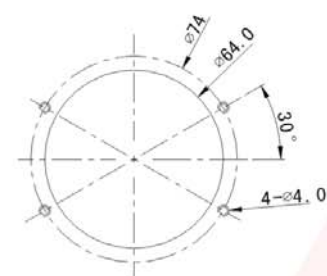


产品编号 Product No.	型号 Type	颜色 Color	额定功率 Rating power	输入电压 Input voltage	色温 Color temperature	环境温度 ambient temperature	重量 weight	防护等级 protection grade
C04030700006	SHXH06-03	红色/白色	≤4W	DC110V	4300K~4700K	-25℃~70℃	132.8g	Ip54

外形尺寸



开孔尺寸



## Side Light Chongqing

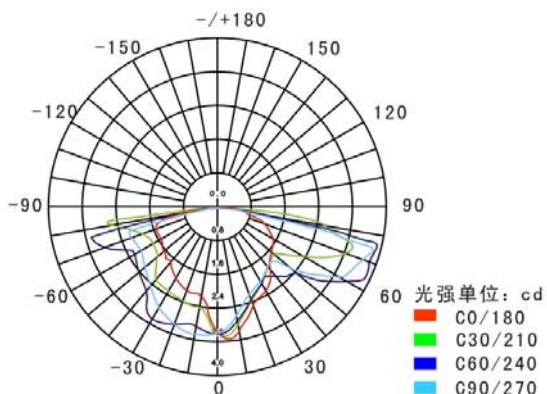
### 材质说明

- 1. 灯体采用阻燃ABS材质,
- 2. 灯罩采用阻燃PC材质,
- 接线端子: 万可261-202.

### Materials:

- 1. Non-flammable ABS LED light body.
- 2. Non-flammable PC plastic lampshade.
- Terminal: WAGO 261-202.

配光曲线



接线图

产品应用



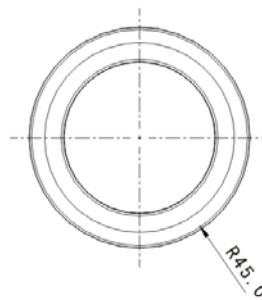
# Side Light Iran

伊朗车侧灯

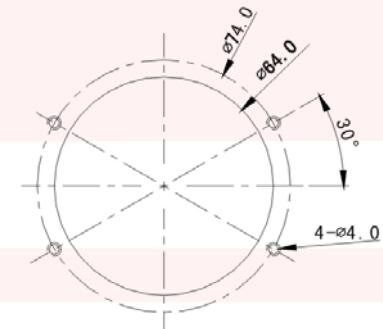
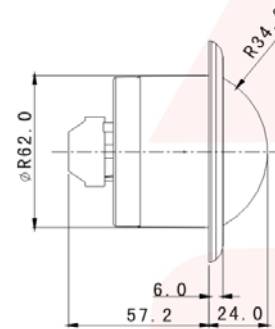


产品编号 Product No.	型号 Type	颜色 Color	额定功率 Rating power	输入电压 Input voltage	色温 Color temperature	环境温度 ambient temperature	重量 weight	防护等级 protection grade
C04030900010	SHD06-04	红/橙色	≤2.5W	DC110V		-20℃~70℃	129g	Ip54

外形尺寸



开孔尺寸



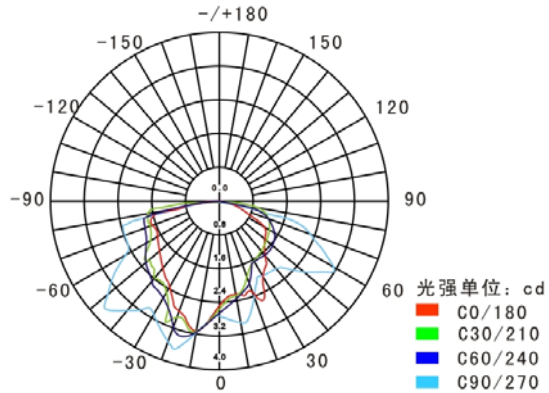
## 材质说明

- 1. 灯体采用阻燃ABS材质,
- 2. 灯罩采用阻燃PC材质,
- 接线端子: 万可261-202.

## Materials:

- 1. Non-flammable ABS LED light body.
- 2. Non-flammable PC plastic lampshade.
- Terminal: WAGO 261-202.

配光曲线



接线图

产品应用



<http://www.hzy2000.com>

1

TEL:+86-0755-26018102



运行灯



产品编号 Product No.	型号 Type	颜色 Color	额定功率 Rating power	输入电压 Input voltage	色温 Color temperature	环境温度 ambient temperature	重量 weight	防护等级 protection grade
C04030900054	SHXH06-02	黑色	≤10W	DC110V			1005.8g	

## Running Light

### 材质说明

- 1. 灯体采用阻燃ABS材质,
- 2. 表面处理白色和红色烤漆,
- 接线端子: 万可734-302  
734-102/037-000.

### Materials:

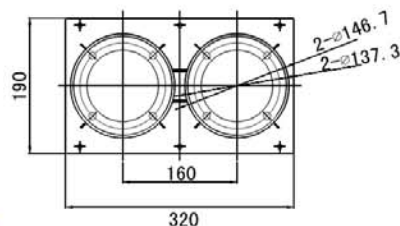
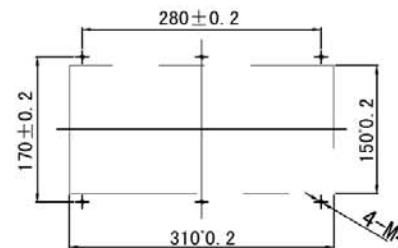
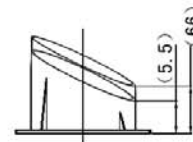
- 1. Non-flammable ABS LED light body.
- 2. White or red coating finish.
- Terminal: WAGO 734-302  
734-102/037-000.

外形尺寸

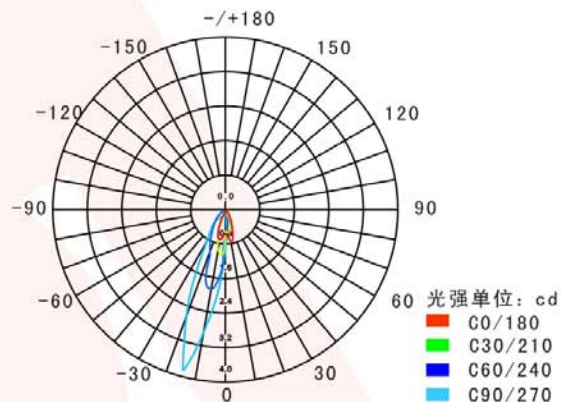
此内表面为红色 此内表面为白色  
色标号: RAL3020) 色标号: RAL9010)



开孔尺寸



配光曲线



接线图

产品应用



## 运行灯II型



## Running Light II

### 材质说明

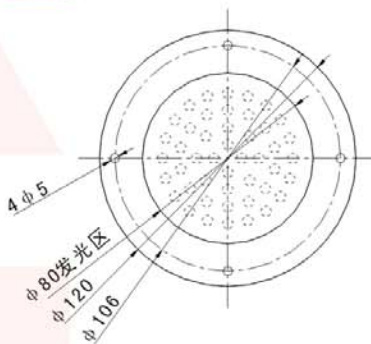
- 1. 灯体采用铝合金材质,
- 2. 灯罩采用阻燃PC塑料,
- 接线端子: 万可769-605/002-000  
769-105/021-000.

### Materials:

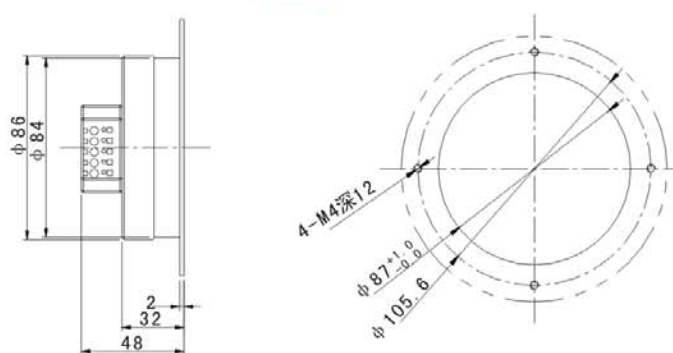
- 1. Alloy aluminum LED light body,
- 2. Non-flammable PC plastic lampshade.
- Terminal :WAGO 769-605/002-000  
769-105/021-000.

产品编号 Product No.	型号 Type	颜色 Color	额定功率 Rating power	输入电压 Input voltage	色温 Color temperature	环境温度 ambient temperature	重量 weight	防护等级 protection grade
C04030700057	SHXH06-03B	红色/白色	≤4W	DC110V		-25℃~70℃	265.7g	Ip54

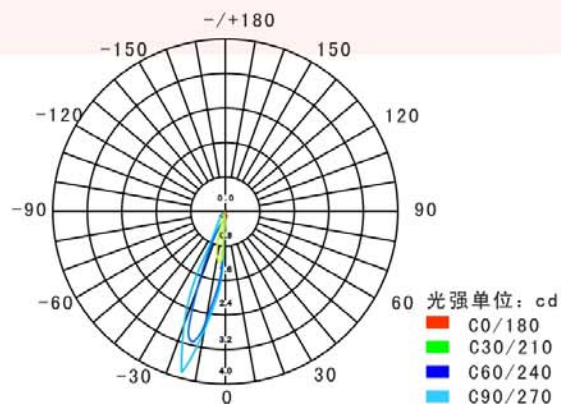
外形尺寸



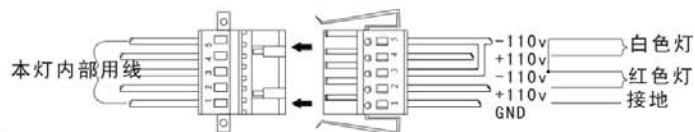
开孔尺寸



配光曲线



接线图



产品应用

E-mail:hzy.ltd@hzy2000.com

2

http://www.hzy2000.com



车门指示灯



Cell Door Light

产品编号 Product No.	型号 Type	颜色 Color	额定功率 Rating power	输入电压 Input voltage	色温 Color temperature	环境温度 ambient temperature	重量 weight	防护等级
C04030700050	SHD06-08B	红/橙色	≤1W	DC110V		-20℃~65℃	24.2g	

外形尺寸

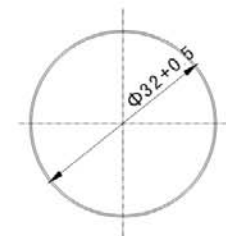
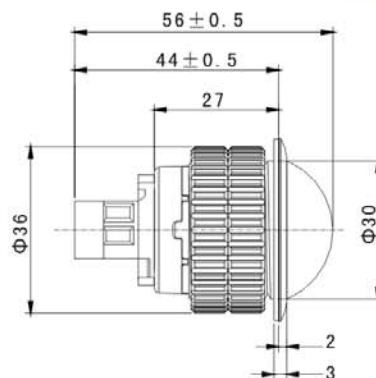
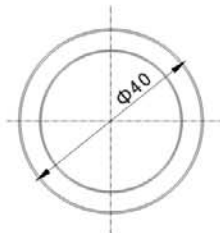
开孔尺寸

材质说明

- 1. 灯体采用阻燃ABS材质,
- 2. 灯罩采用阻燃PC,
- 接线端子: 万可260-102.

Materials:

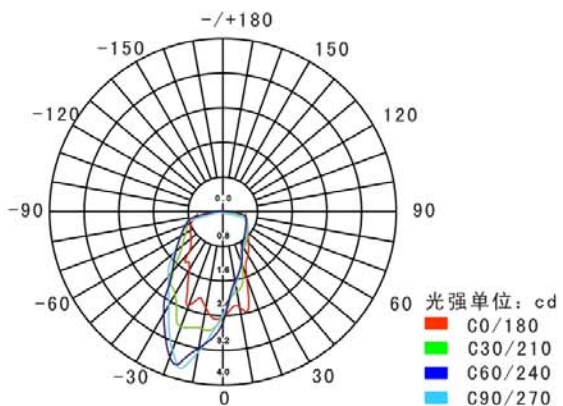
- 1. Non-flammable ABS plastic LED light body.
- 2. Non-flammable PC plastic lampshade. Silver coating finish.
- Terminal: WAGO 260-102.



配光曲线

接线图

产品应用



车门指示灯  
(双灯)



产品编号 Product No.	型号 Type	颜色 Color	额定功率 Rating power	输入电压 Input voltage	色温 Color temperature	环境温度 ambient temperature	重量 weight	防护等级
C04030700033	SHXH04-03	红色/橙色	≤2W	DC110V		-25℃~70℃	79.3g	Ip54

## Cell Dual Door Light

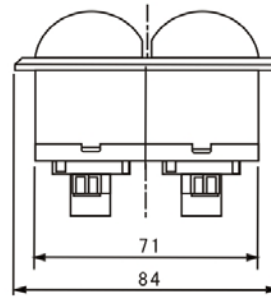
### 材质说明

- 1. 灯体采用阻燃ABS材质,
- 2. 灯罩采用阻燃PC,
- 接线端子: 万可260-102.

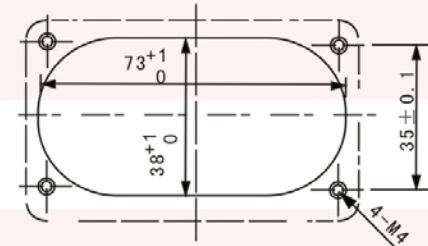
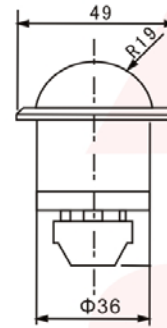
### Materials:

- 1. Non-flammable ABS plastic LED light body.
- 2. Non-flammable PC plastic lampshade. Silver coating finish.
- Terminal: WAGO 260-102.

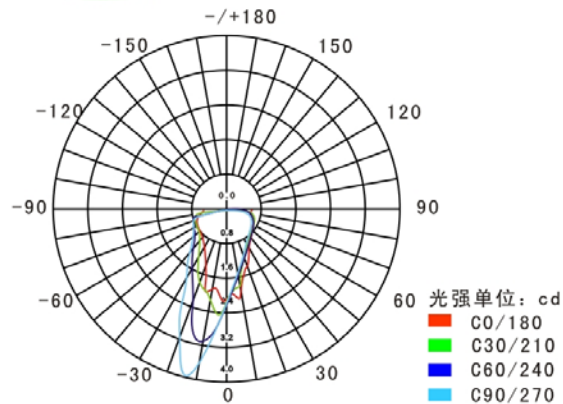
外形尺寸



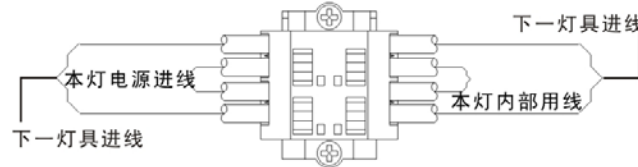
开孔尺寸



配光曲线



接线图



产品应用

<http://www.hzy2000.com>

1

TEL:+86-0755-26018102



车外运行灯指示 I 型



产品编号 Product No.	型号 Type	颜色 Color	额定功率 Rating power	输入电压 Input voltage	色温 Color temperature	环境温度 ambient temperature	重量 weight	防护等级
C04030700037	SHXH04-05	红色/橙色	≤1W	DC110V		-25℃~45℃	78.4g	Ip54

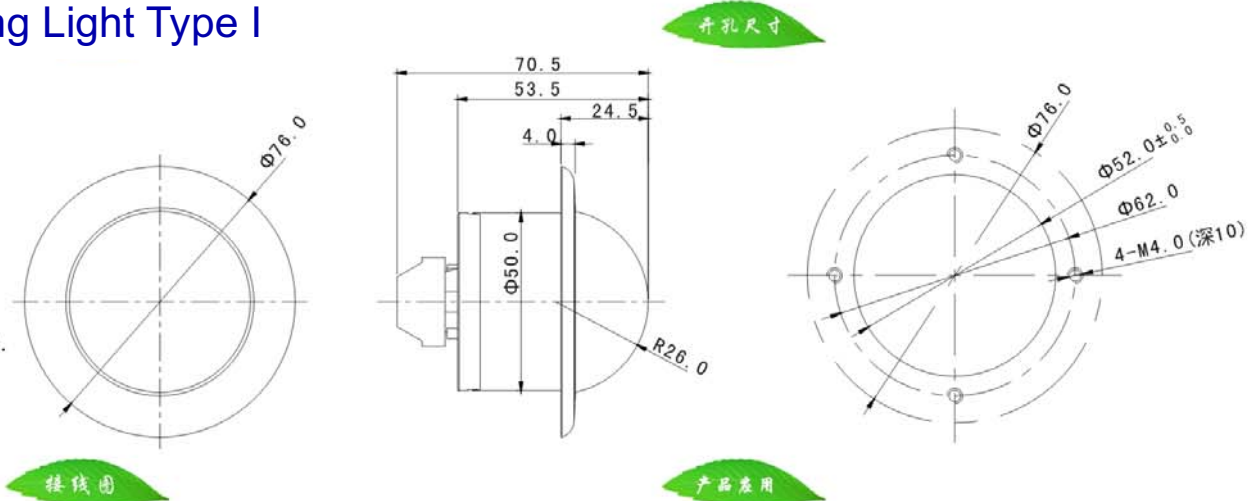
## Outside Running Light Type I

### 材质说明

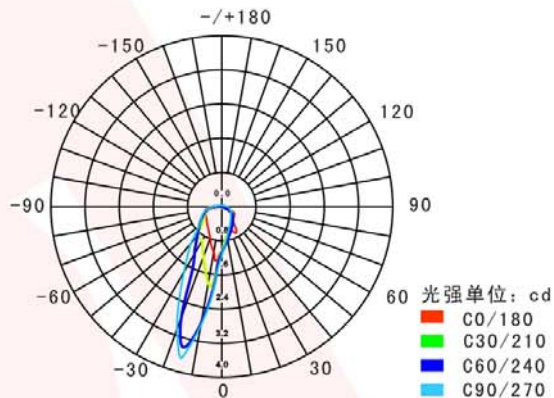
- 1. 灯体采用阻燃ABS材质,
- 2. 灯罩采用阻燃PC,
- 接线端子: 万可260-202.

### Materials:

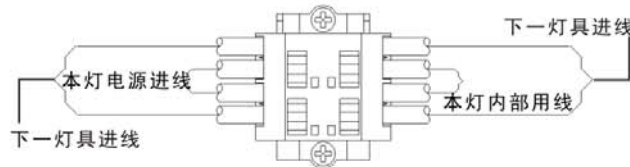
- 1. Non-flammable ABS plastic LED light body.
- 2. Non-flammable PC plastic lampshade. Silver coating finish.
- Terminal: WAGO 260-202.



配光曲线



接线图



产品应用

车外运行灯指示 II 型



产品编号 Product No.	型号 Type	颜色 Color	额定功率 Rating power	输入电压 Input voltage	色温 Color temperature	环境温度 ambient temperature	重量 weight	防护等级
C04030700030	SHXH04-06	红/橙色	≤4W	DC110V		-25℃~70℃	63.1g	Ip54

## Outside Running Light Type II

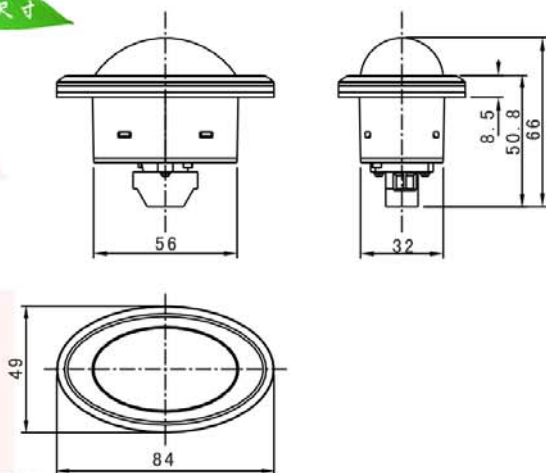
### 材质说明

- 1. 灯体采用阻燃ABS材质,
- 2. 灯罩采用阻燃PC,
- 接线端子: 万可260-102.

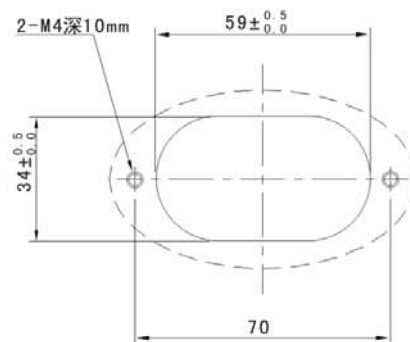
### Materials:

- 1. Non-flammable ABS plastic LED light body.
- 2. Non-flammable PC plastic lampshade. Silver coating finish.
- Terminal: WAGO 260-102.

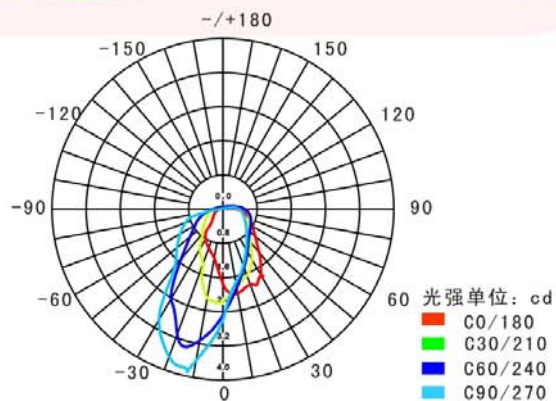
外形尺寸



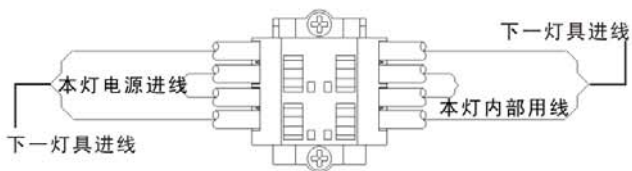
开孔尺寸



配光曲线



接线图



产品应用

E-mail: [hzy.ltd@hzy2000.com](mailto:hzy.ltd@hzy2000.com)

<http://www.hzy2000.com>



## 5. LED Panel Lights



LED平面光源顶灯IV型



产品编号 Product No.	型号 Type	颜色 Color	额定功率 Rating power	输入电压 Input voltage	色温 Color temperature	环境温度 ambient temperature	重量 weight	防护等级
C10030700113	SHPM01-04	白色	≤12W	DC110V	3800-4200K	-25℃~40℃		Ip30

外形尺寸

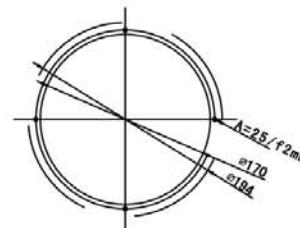
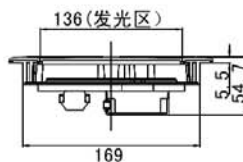
开孔尺寸

LED Flat Dome Light

材质说明

- 外壳采用阻燃工程塑胶;
- 透镜采用防爆PC塑料;
- 采用万可接线端子  
(端子型号:?)

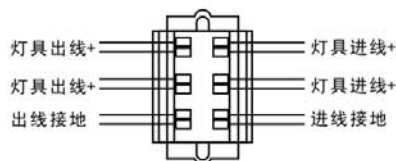
Materials:  
Fire-retardant plastic  
PC lens



配光曲线

接线图

产品应用



LED灯管III型



产品编号 Product No.	型号 Type	颜色 Color	额定功率 Rating power	输入电压 Input voltage	色温 Color temperature	环境温度 ambient temperature	重量 weight	防护等级
C10040700118	SHDD403-01	乳白色	≤18W	DC110V	5600-6300K	-25℃~65℃		Ip30

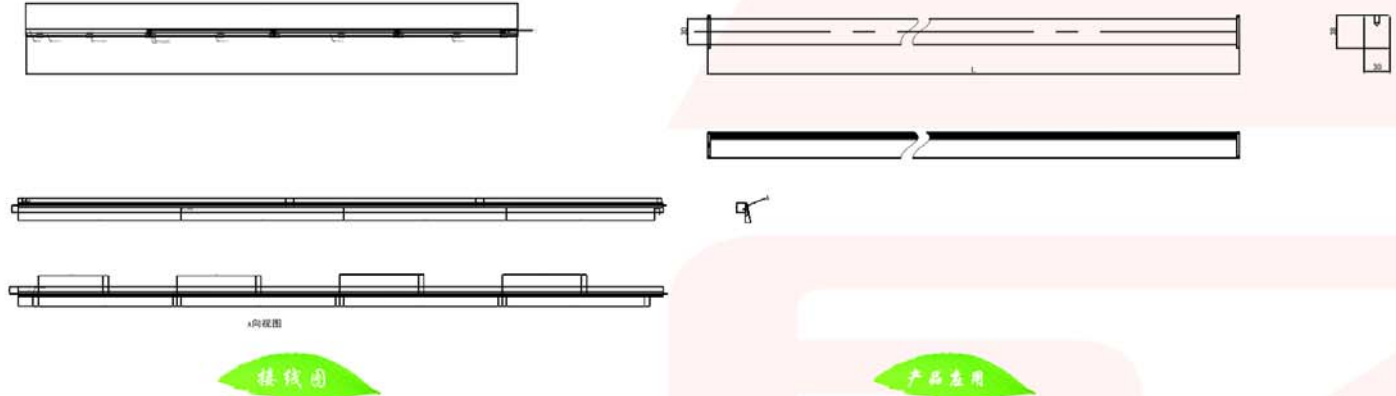
LED Light Type III

材质说明

- 外壳采用阻燃工程塑胶;
- 采用德国WAGO接线端子
- (端子型号:)

Materials:  
Fire-retardant plastic  
PC lens

开孔尺寸





LED平面光源顶灯 I A型



LED Flat Dome Light

材质说明

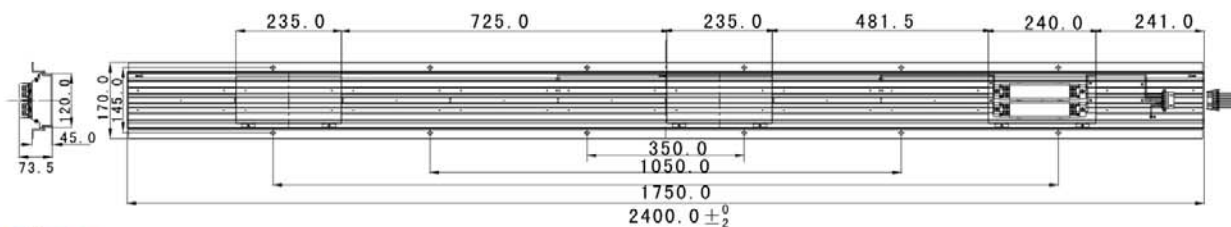
- 外壳采用阻燃工程塑胶;
- 透镜采用防爆PC塑料;
- 采用型号: 721-607/019-000、721-107/037-000接线端子

Materials:

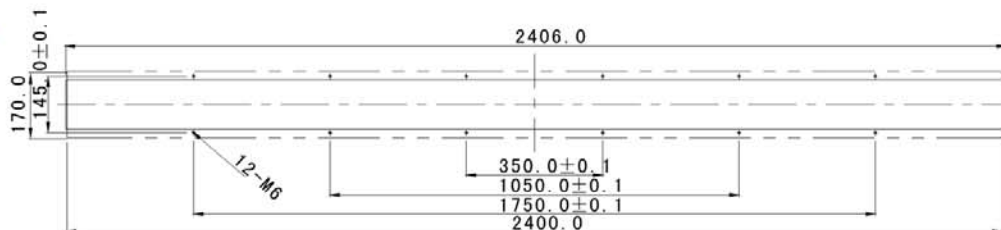
Fire-retardant plastic  
PC lens

配光曲线

产品编号 Product No.	型号 Type	颜色 Color	额定功率 Rating power	输入电压 Input voltage	色温 Color temperature	环境温度 ambient temperature	重量 weight	防护等级
C10030700109	SHPM01-11A	乳白色+银灰色	≤70W	DC110V	3200-3500K	-40℃~70℃-		Ip30

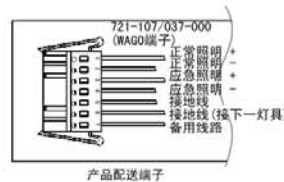
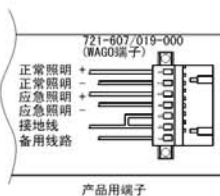


开孔尺寸



接线图

产品应用



### LED平面光源顶灯IB型



产品编号 Product No.	型号 Type	颜色 Color	额定功率 Rating power	输入电压 Input voltage	色温 Color temperature	环境温度 ambient temperature	重量 weight	防护等级
C10030700114	SHPM01-12A	RAL9003	≤17-35W	DC110V		-25℃~40℃		Ip30

## LED Flat Dome Light Type IB

开孔尺寸

### 材质说明

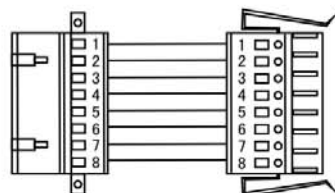
- 外壳采用阻燃工程塑胶;
- 透镜采用防爆PC塑料;
- 采用型号: 721-108/307-000  
721-608/019-000

Materials:  
Fire-retardant plastic  
PC lens

配光曲线

接线图

产品应用



- 1、2为一路照明;
- 3、4为一路照明;
- 5、6为应急照明;
- 7、为接地线;
- 8、为备用;



LED平面光源顶灯IC型



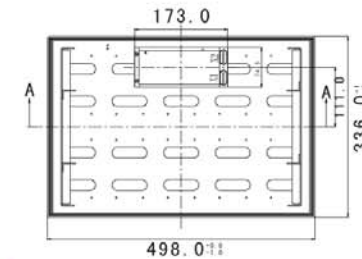
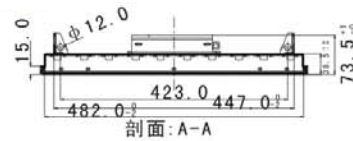
产品编号 Product No.	型号 Type	颜色 Color	额定功率 Rating power	输入电压 Input voltage	色温 Color temperature	环境温度 ambient temperature	重量 weight	防护等级 protection grade
C10030700113	SHPM01-13	乳白色+银灰色	≤25W	DC110V	?K	-40℃~40℃		Ip

LED Flat Dome Light Type IC

材质说明

- 外壳采用阻燃工程塑胶;
- 透镜采用防爆PC塑料;
- 采用万可接线端子  
(端子型号:)

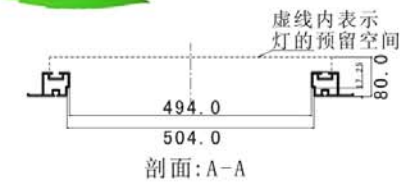
Materials:  
Fire-retardant plastic  
PC lens



配光曲线

接线图

开孔尺寸



产品应用



LED平面光源顶灯ID型



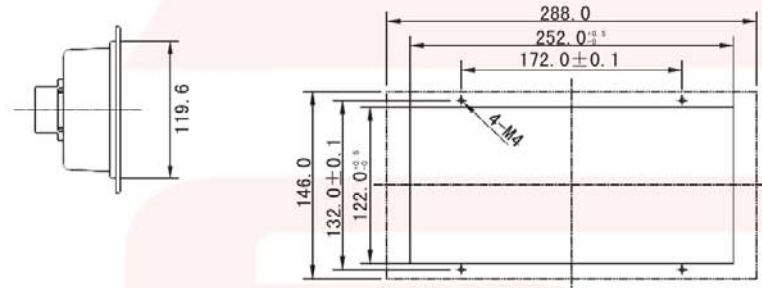
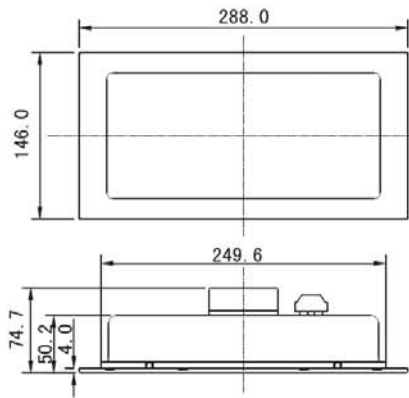
产品编号 Product No.	型号 Type	颜色 Color	额定功率 Rating power	输入电压 Input voltage	色温 Color temperature	环境温度 ambient temperature	重量 weight	防护等级 protection grade
C10030700111	SHPM01-14	RAL9003	≤7W	DC110V		-25℃~65℃		

LED Flat Dome Light Type ID

材质说明

- 外壳采用阻燃工程塑胶;
- 透镜采用防爆PC塑料;
- 采用接线端子

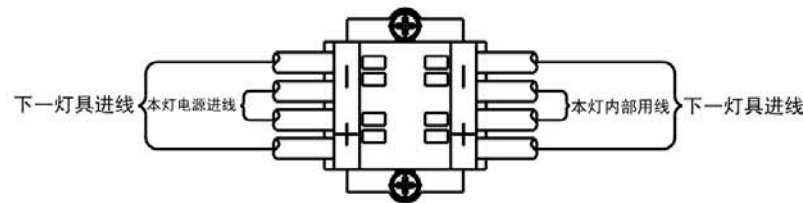
Materials:  
Fire-retardant plastic  
PC lens



配光曲线

接线图

产品应用



<http://www.hzy2000.com>

1

TEL:+86-0755-26018102



LED平面光源顶灯IJ型



产品编号 Product No.	型号 Type	颜色 Color	额定功率 Rating power	输入电压 Input voltage	色温 Color temperature	环境温度 ambient temperature	重量 weight	防护等级 protection grade
C10030600085	SHPM01-19	乳白色+银灰色	≤15W	DC110V		-25℃~40℃		

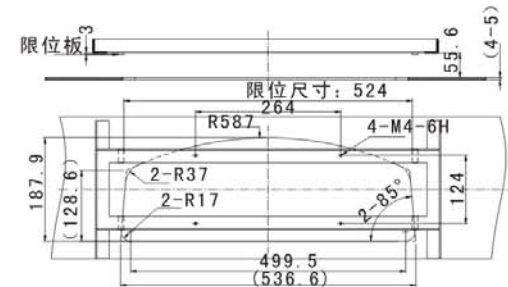
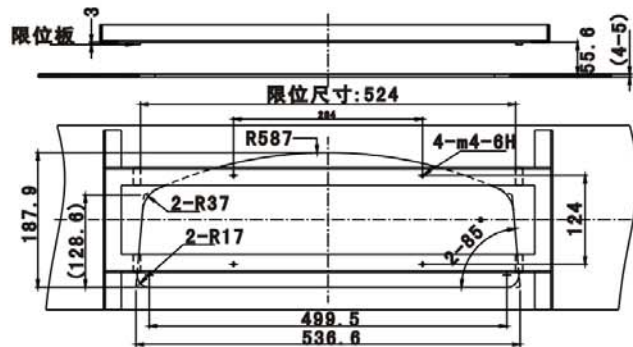
## LED Flat Dome Light Type IJ

### 材质说明

- 外壳采用阻燃工程塑胶;
- 透镜采用防爆PC塑料;
- 采用型号:

Materials:  
Fire-retardant plastic  
PC lens

开孔尺寸



配光曲线

接线图

产品应用

LED平面光源顶灯IK型



产品编号 Product No.	型号 Type	颜色 Color	额定功率 Rating power	输入电压 Input voltage	色温 Color temperature	环境温度 ambient temperature	重量 weight	防护等级 protection grade
C10030800178	SHDD310-01	银灰色+乳白色	≤40W	DC220V	5600-6300K	-25℃~45℃		

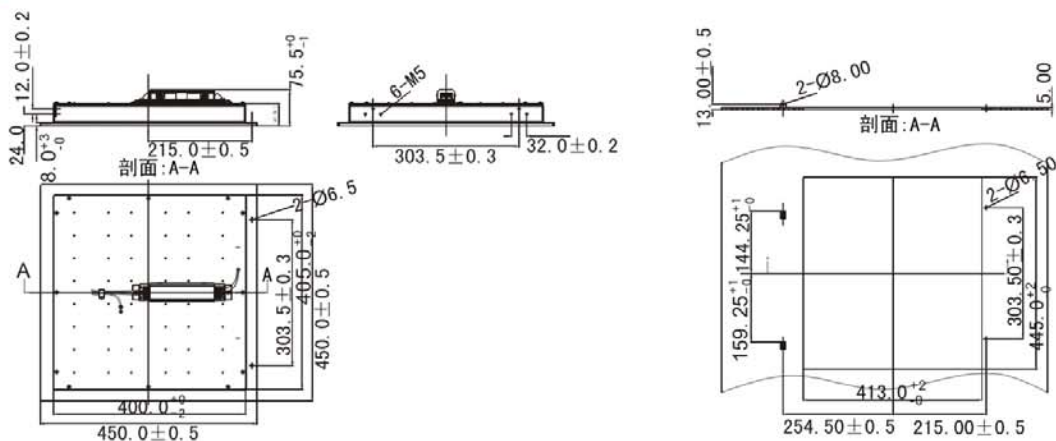
LED Flat Dome Light Type IK

材质说明

- 灯体材质铝合金, 表面银灰色烤漆,
- 灯罩材质: 乳白色亚克力;
- 采用型号: 236-405接线端子。

Materials:  
Fire-retardant plastic  
PC lens

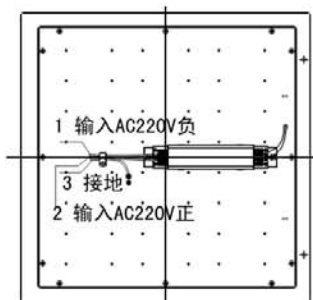
开孔尺寸



配光曲线

接线图

产品应用





LED组合灯盘IH型



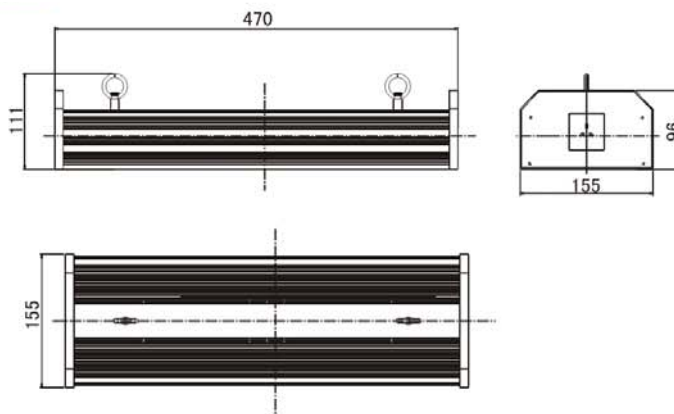
产品编号 Product No.	型号 Type	颜色 Color	额定功率 Rating power	输入电压 Input voltage	色温 Color temperature	环境温度 ambient temperature	重量 weight	防护等级 protection grade
C10030700111	SHPM01-14	RAL9003	≤7W	DC110V		-25℃~65℃		

## LED Flat Dome Light Type IH

### 材质说明

- 外壳采用阻燃工程塑胶;
- 透镜采用防爆PC塑料;
- 采用万可接线端子  
(端子型号:)

Materials:  
Fire-retardant plastic  
PC lens



开孔尺寸

配光曲线

接线图

产品应用

LED组合灯条III型



产品编号 Product No.	型号 Type	颜色 Color	额定功率 Rating power	输入电压 Input voltage	色温 Color temperature	环境温度 ambient temperature	重量 weight	防护等级 protection grade
C10040600009	SHDD05-03A	乳白色	≤25W	DC110V		-25℃~40℃		

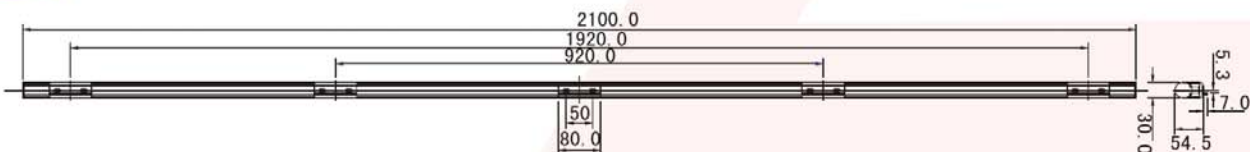
## LED Combination Type III

### 材质说明

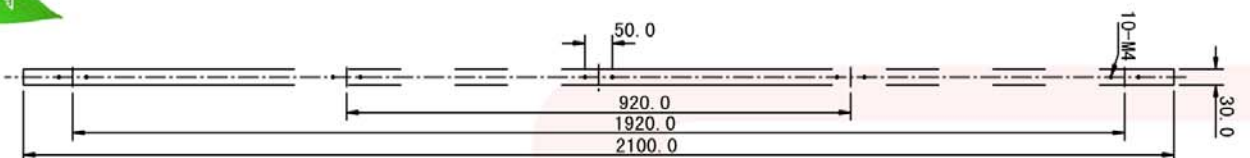
- 外壳采用阻燃工程塑胶;
- 透镜采用防爆PC塑料;
- 采用德国WAGO接线端子  
(端子型号: 734-302  
734-102/037-000)

### Materials:

Fire-retardant plastic  
PC lens



开孔尺寸



接线图

产品应用

配光曲线



顶棚灯



Panel Light

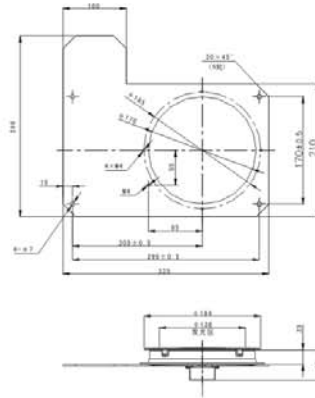
材质说明

- 外壳采用阻燃工程塑胶;
- 透镜采用防爆PC塑料;
- 采用型号:

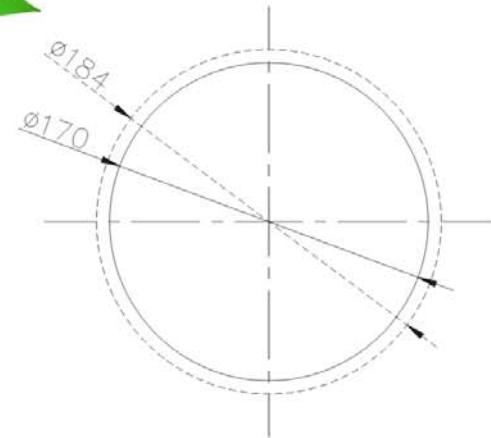
Materials:  
Fire-retardant plastic  
PC lens

产品编号 Product No.	型号 Type	颜色 Color	额定功率 Rating power	输入电压 Input voltage	色温 Color temperature	环境温度 ambient temperature	重量 weight	防护等级 protection grade
C10030600085	SHXH06-04	RAL9003	≤12W	DC110V		-25℃~75℃		

开孔尺寸



接线图



产品应用

配光曲线



## 组合灯盘IK型



产品编号 Product No.	型号 Type	颜色 Color	额定功率 Rating power	输入电压 Input voltage	色温 Color temperature	环境温度 ambient temperature	重量 weight	防护等级 protection grade
C10030700158	SHDD02-20		≤30W	DC110V		-25℃~40℃		

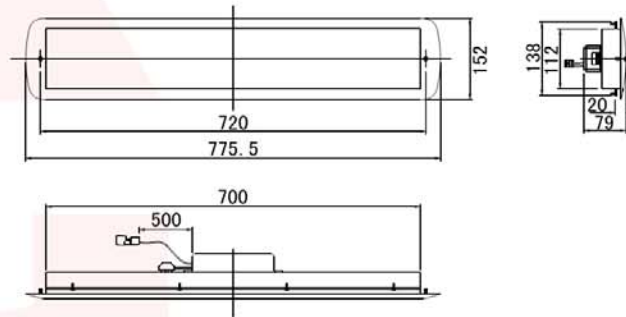
## LED Combination Dengpan Type IK

开孔尺寸

### 材质说明

- 外壳采用阻燃工程塑胶;
- 透镜采用防爆PC塑料;
- 采用型号: 721-104  
721-604

Materials:  
Fire-retardant plastic  
PC lens



配光曲线

接线图

产品应用



## 6. LED Information Displays



## Toilet Display

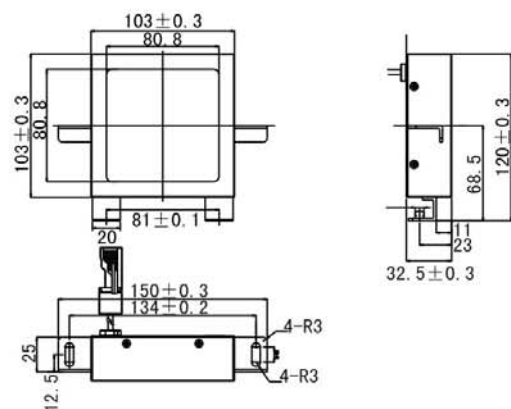
### 材质说明

- 外壳采用阻燃工程塑胶;
- 透镜采用防爆PC塑料;
- 采用万可接线端子  
(端子型号:)

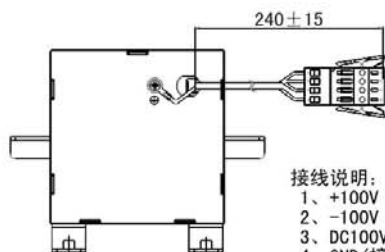
Materials:  
Fire-retardant plastic  
PC lens

产品编号 Product No.	型号 Type	颜色 Color	额定功率 Rating power	输入电压 Input voltage	色温 Color temperature	环境温度 ambient temperature	重量 weight	防护等级
C05020600005	HXX114-02-000F	黑色						

外形尺寸

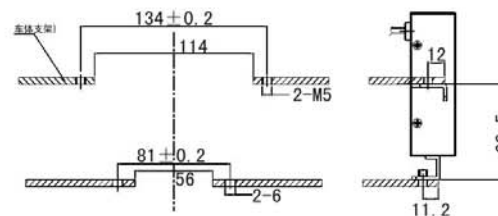


接线图



接线说明:  
1、+100V (DC70V~110V)  
2、-100V (C70V~110V)  
3、DC100V (控制线)  
4、GND(接地)

开孔尺寸



产品应用

## 厕所显示器III型



## Toilet Display Type III

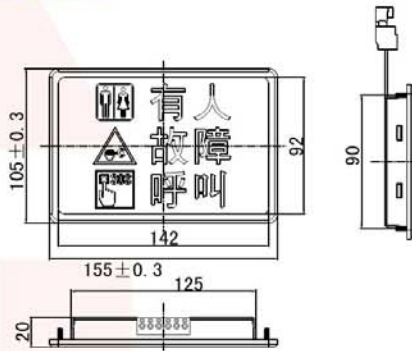
### 材质说明

- 外壳采用阻燃工程塑胶;
- 透镜采用防爆PC塑料;
- 采用型号:236-405

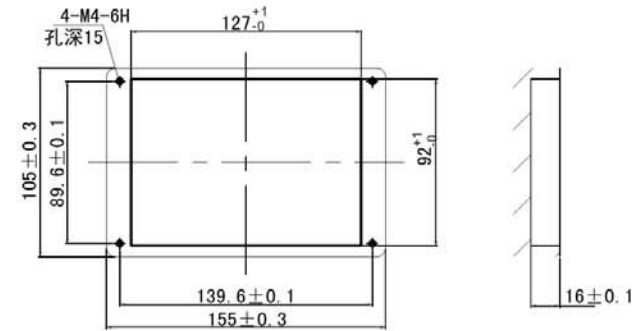
Materials:  
Fire-retardant plastic  
PC lens

产品编号 Product No.	型号 Type	颜色 Color	额定功率 Rating power	输入电压 Input voltage	色温 Color temperature	环境温度 ambient temperature	重量 weight	防护等级
C05050200009	SHCX02-06A	塑胶 白色	≤2W	DC24V				

外形尺寸



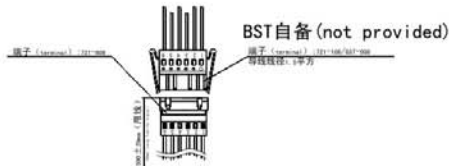
开孔尺寸



配光曲线

接线图

产品应用



### 电器接口说明:

1. 端子接口1、2控制“有人”线路 (24V).  
terminal sign 1 and 2 connect with the circuit '有人'
2. 端子接口3、4控制“故障”线路 (24V).  
terminal sign 3 and 4 connect with the circuit '故障'
3. 端子接口5、6控制“呼叫”线路 (24V).  
terminal sign 5 and 6 connect with the circuit '呼叫'

E-mail:hzy.ltd@hzy2000.com

2

http://www.hzy2000.com

## 7. Intelligent Controls



包间控制器I型



Package Controller  
Type I

产品编号 Product No.	型号 Type	颜色 Color	额定功率 Rating power	输入电压 Input voltage	环境温度 ambient temperature	重量 weight	防护等级 protection grade
C07010900001	SHZK112-01	黑色	≤3W	DC110V	5℃~35℃		

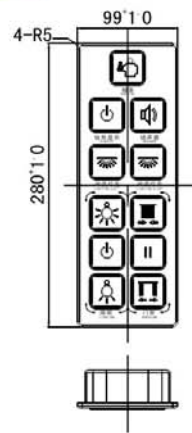
材质说明

- 1. 壳体采用阻燃PC材质, 2灯罩采用阻燃ABS, 表面处理银灰色烤漆,
- 接线端子: 万可236-419.

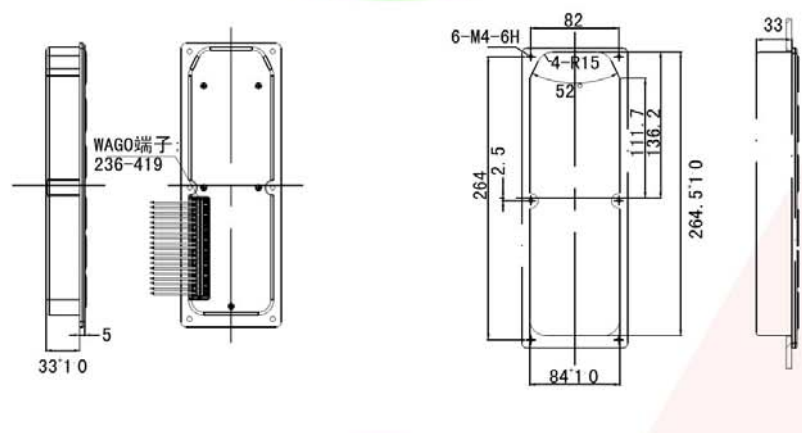
Materials:

- 1. Non-flammable PC plastic body.
- 2. Non-flammable ABS plastic lampshade. Silver coating finish.
- Terminal: WAGO 236-419.

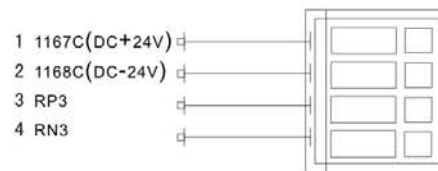
外形尺寸



开孔尺寸



接线图



产品应用





包间显示牌II型



Package Controller Type II

材质说明

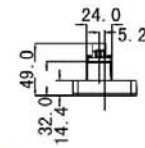
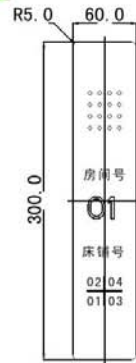
- 外壳采用阻燃工程塑胶;
- 透镜采用防爆PC塑料;
- 采用型号:

Materials:  
Fire-retardant plastic  
PC lens

配光曲线

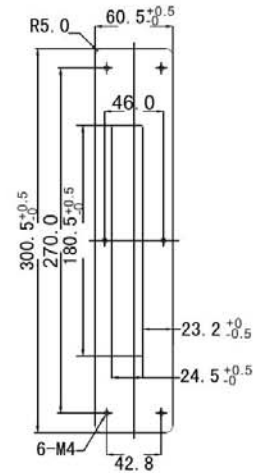
产品编号 Product No.	型号 Type	颜色 Color	额定功率 Rating power	输入电压 Input voltage	色温 Color temperature	环境温度 ambient temperature	重量 weight	防护等级
C05020200002	SHWG08-02-DC24V							

外形尺寸



接线图

开孔尺寸



产品应用

光电开关



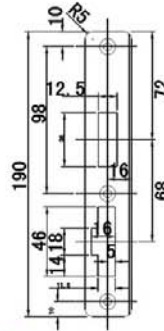
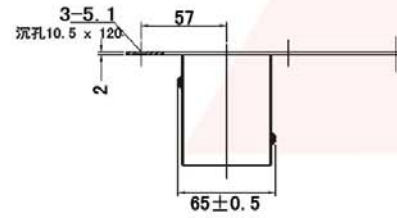
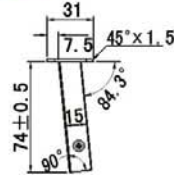
## Electric Light Switch

产品编号 Product No.	型号 Type	颜色 Color	额定功率 Rating power	输入电压 Input voltage	环境温度 ambient temperature	重量 weight	防护等级 protection grade
C06020900001	SHZK09-03	不锈钢	≤3W	DC3-12V			

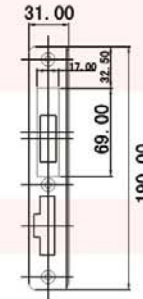
### 材质说明

- 外壳采用阻燃工程塑胶;
  - 采用德国WAGO接线端子  
(端子型号: 734-302  
734-102/037-000)
- Materials:**  
Fire-retardant plastic  
PC lens

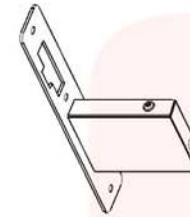
外形尺寸



开孔尺寸



接线图



产品应用



呼叫按钮



SOS Switch

产品编号 Product No.	型号 Type	颜色 Color	额定功率 Rating power	输入电压 Input voltage	环境温度 ambient temperature	重量 weight	防护等级 protection grade
C07010900005	SHZK418-01	白色	≤3W	DC110V	-25℃~40℃		

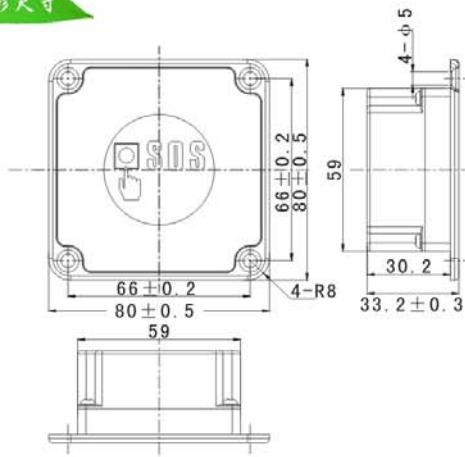
材质说明

- 1. 壳体采用阻燃PC材质, 2灯罩采用阻燃ABS, 表面处理银灰色烤漆,
- 接线端子: 万可

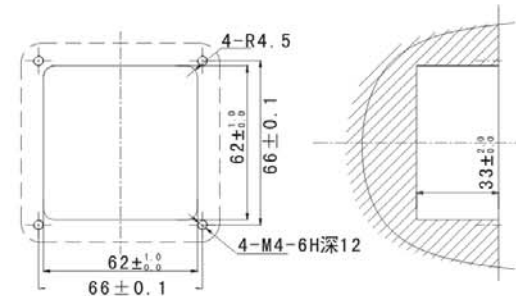
Materials:

- 1. Non-flammable PC plastic body.
- 2. Non-flammable ABS plastic lampshade. Silver coating finish.
- Terminal: WAGO

外形尺寸



开孔尺寸



接线图



产品应用

门控制器III型



Door Controller  
Type III

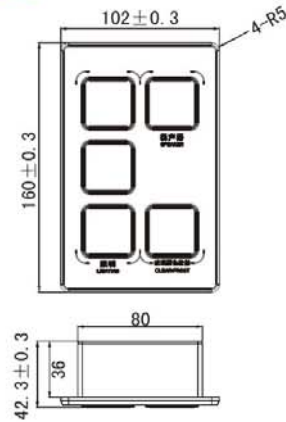
产品编号 Product No.	型号 Type	颜色 Color	额定功率 Rating power	输入电压 Input voltage	环境温度 ambient temperature	重量 weight	防护等级 protection grade
C07010900008	SHZK218-01	黑色	≤3W	DC110V	5℃~35℃		

材质说明

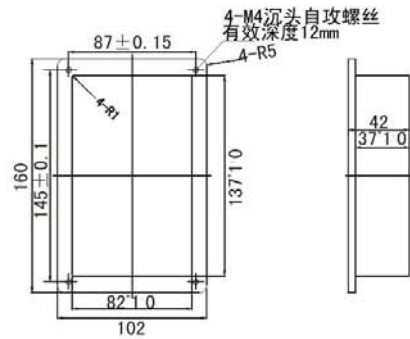
- 外壳采用阻燃工程塑胶;
- 透镜采用防爆PC塑料;
- 采用型号: 236-405

Materials:  
Fire-retardant plastic  
PC lens

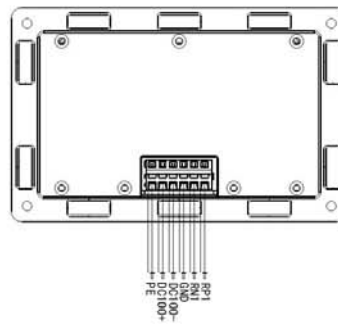
外形尺寸



开孔尺寸



接线图



产品应用



材质说明

- 1. 外壳采用阻燃PC材质, 2灯罩采用阻燃ABS, 表面处理银灰色烤漆.
- 接线端子: 万可236-405

Materials:

- 1. Non-flammable PC plastic body.
- 2. Non-flammable ABS plastic lampshade. Silver coating finish.
- Terminal: WAGO

E-mail: [hzy.ltd@hzy2000.com](mailto:hzy.ltd@hzy2000.com)

<http://www.hzy2000.com>



门控制器 II 型



Door Controller  
Type II

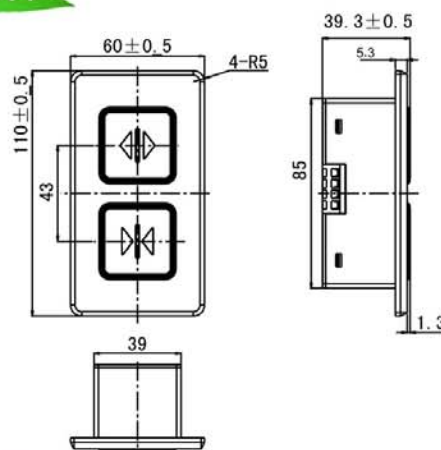
材质说明

- 1、壳体采用铝合金材料。
- 2、表面处理黑色烤漆。
- 采用万可接线端子  
(端子型号:)

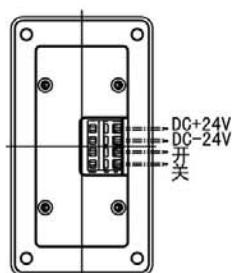
Materials:  
Fire-retardant plastic  
PC lens

产品编号 Product No.	型号 Type	颜色 Color	额定功率 Rating power	输入电压 Input voltage	环境温度 ambient temperature	重量 weight	防护等级 protection grade
C07010900007	SHZK217-01	黑色	≤3W	DC100V	5℃~35℃		

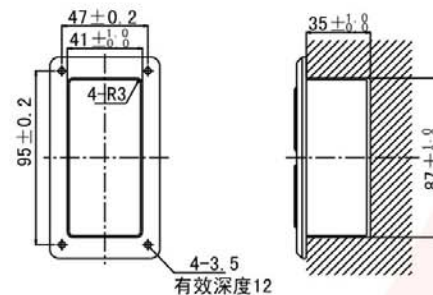
外形尺寸



接线图



开孔尺寸



产品应用

### 沙发控制板 I 型



## Sofa Control Panel Type I

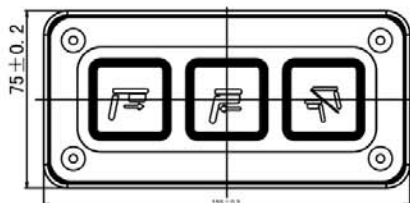
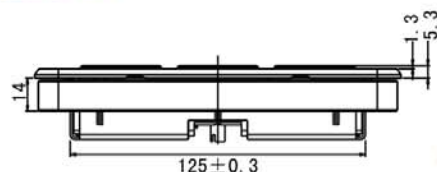
### 材质说明

- 1、壳体采用铝合金材料。
- 2、表面处理黑色烤漆。
- 采用德国WAGO接线端子  
(端子型号: 734-302  
734-102/037-000)

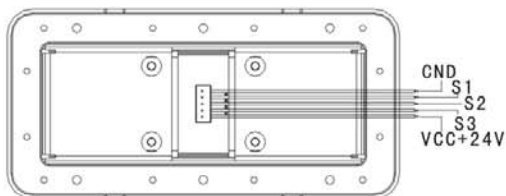
Materials:  
Fire-retardant plastic  
PC lens

产品编号 Product No.	型号 Type	颜色 Color	额定功率 Rating power	输入电压 Input voltage	环境温度 ambient temperature	重量 weight	防护等级 protection grade
C07010900004	SHZK114-01	黑色	≤1W	DC24V	25℃~40℃		

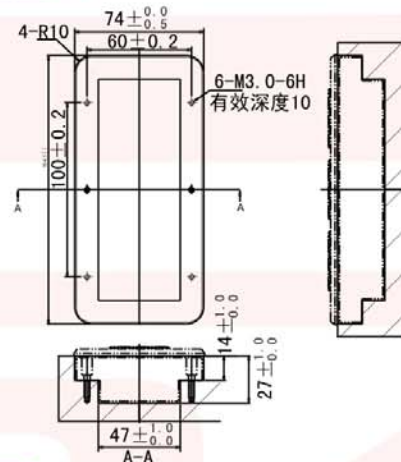
外形尺寸



接线图



配光曲线



产品应用





微动开关



## Micro Switch

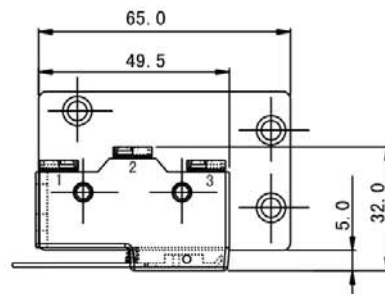
### 材质说明

- 外壳采用阻燃工程塑胶;
- 透镜采用防爆PC塑料;
- 采用型号:

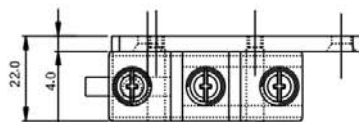
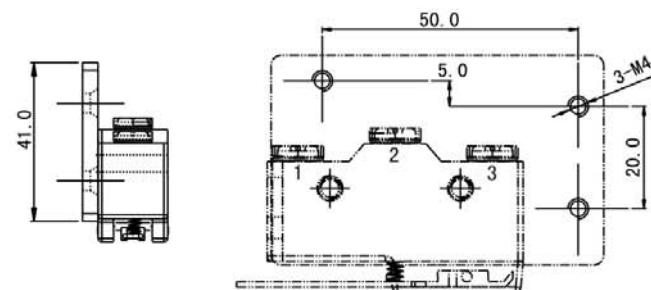
Materials:  
Fire-retardant plastic  
PC lens

产品编号 Product No.	型号 Type	颜色 Color	额定功率 Rating power	输入电压 Input voltage	环境温度 ambient temperature	重量 weight	防护等级 protection grade
C07050900008	SHZK02-01	铝合金		DC150V			

外形尺寸



开孔尺寸



接线图

产品应用

微动开关II型



产品编号 Product No.	型号 Type	颜色 Color	额定功率 Rating power	输入电压 Input voltage	环境温度 ambient temperature	重量 weight	防护等级 protection grade
C07050900002	SHZK08-02	铝合金					

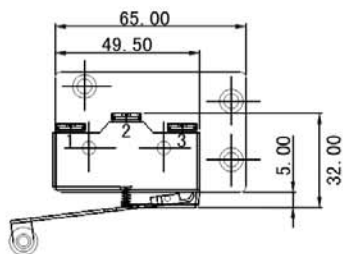
## Micro Switch Type II

### 材质说明

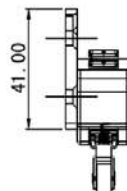
- 外壳采用阻燃工程塑胶;
- 透镜采用防爆PC塑料;
- 采用型号:236-405接线端子。

Materials:  
Fire-retardant plastic  
PC lens

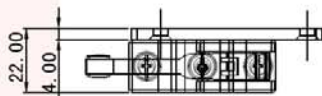
外形尺寸



开孔尺寸



接线图



产品应用



光电开关



## Photo-Electric Switch

### 材质说明

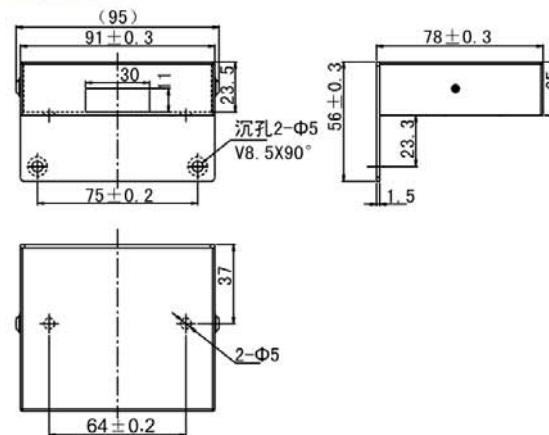
- 1、壳体采用不锈钢材料。
- 2、
- 采用万可接线端子  
(端子型号:)

Materials:  
Fire-retardant plastic  
PC lens

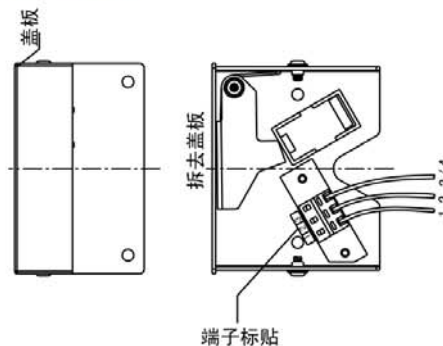
配壳曲线

产品编号 Product No.	型号 Type	颜色 Color	额定功率 Rating power	输入电压 Input voltage	色温 Color temperature	环境温度 ambient temperature	重量 weight	防护等级
C07060900011	SHZK9-01	不锈钢		DC3-12V				

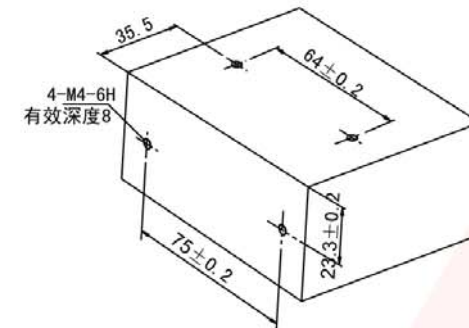
外形尺寸



接线图

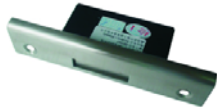


开孔尺寸



产品应用

EMU光电开关 II 型



EMU Photo-Electric Switch Type II

材质说明

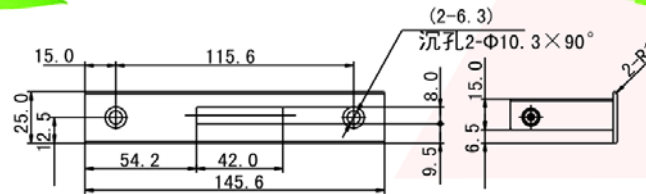
- 1、壳体采用不锈钢材料。
- 2、
- 采用德国WAGO接线端子 (端子型号: 734-302 734-102/037-000)

Materials:  
Fire-retardant plastic  
PC lens

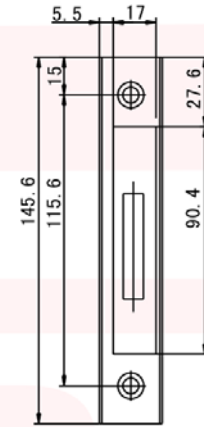
开孔尺寸

产品编号 Product No.	型号 Type	颜色 Color	额定功率 Rating power	输入电压 Input voltage	色温 Color temperature	环境温度 ambient temperature	重量 weight	防护等级
C07060200003	SHZK09-05	不锈钢	≤1W	DC24V		25℃~40℃		

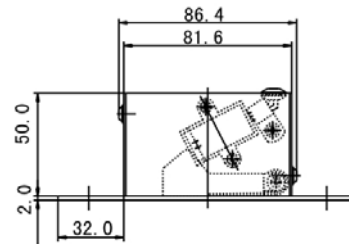
外形尺寸



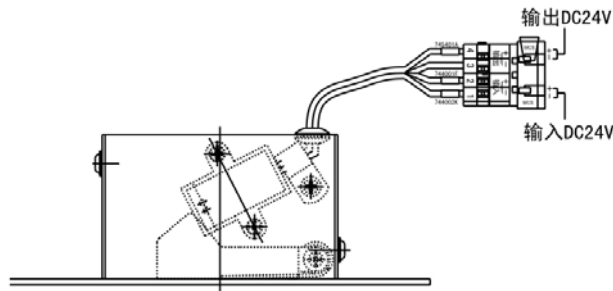
配光曲线



接线图



产品应用





EMU光电开关III型



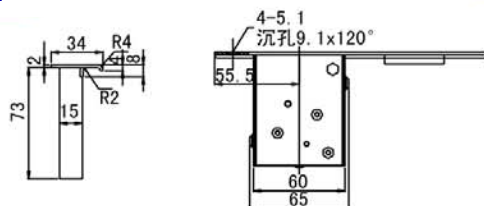
产品编号 Product No.	型号 Type	颜色 Color	额定功率 Rating power	输入电压 Input voltage	色温 Color temperature	环境温度 ambient temperature	重量 weight	防护等级
C07060200006	SHZK02-01	铝合金		DC24V				

EMU Photo-Electric Switch Type III

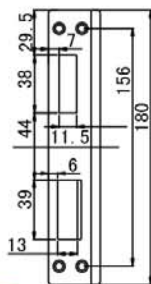
材质说明

- 外壳采用阻燃工程塑胶;
- 透镜采用防爆PC塑料;
- 采用型号:

Materials:  
Fire-retardant plastic  
PC lens

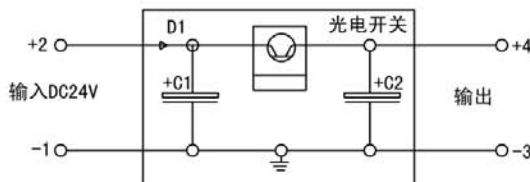


开孔尺寸



接线图

产品应用



配光曲线

微动开关II型

产品编号 Product No.	型号 Type	颜色 Color	额定功率 Rating power	输入电压 Input voltage	色温 Color temperature	环境温度 ambient temperature	重量 weight	防护等级
C07050900002	SHZK08-02	铝合金						

## Micro Switch Type II

### 材质说明

- 外壳采用阻燃工程塑胶;
- 透镜采用防爆PC塑料;
- 采用型号: 236-405

Materials:  
Fire-retardant plastic  
PC lens

配光曲线

接线图

产品应用

E-mail:hzy.ltd@hzy2000.com

2

http://www.hzy2000.com

包间显示牌I型

## Package

产品编号 Product No.	型号 Type	颜色 Color	额定功率 Rating power	输入电压 Input voltage	色温 Color temperature	环境温度 ambient temperature	重量 weight	防护等级
	HWG08-01-000G							

外形尺寸

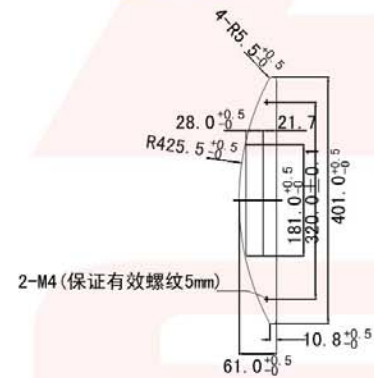
开孔尺寸

## 材质说明

- 外壳采用阻燃工程塑胶;
- 透镜采用防爆PC塑料;
- 采用德国WAGO接线端子  
(端子型号: 734-302  
734-102/037-000)

## Materials:

Fire-retardant plastic  
PC lens



配光曲线

接线图

产品应用

<http://www.hzy2000.com>

1

TEL:+86-0755-26018102